

### **Fan Filter Units**

The most advanced customized solutions for clean room technology – designed and produced from a single supplier.

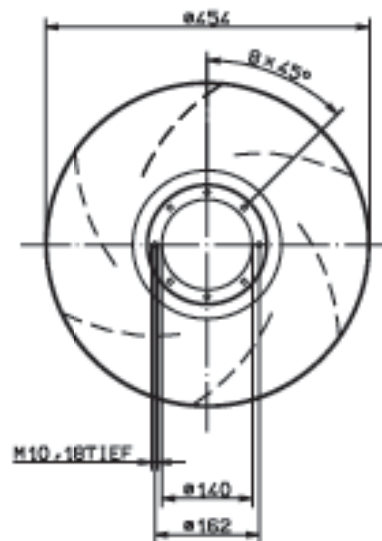
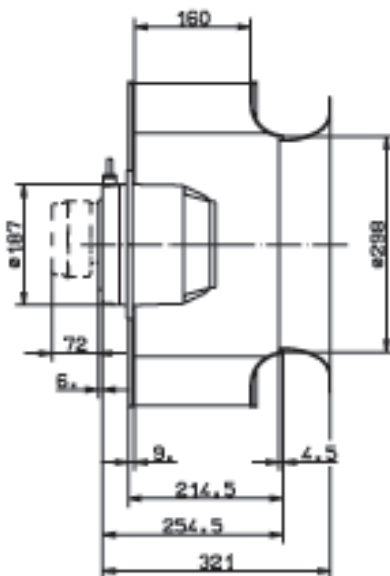
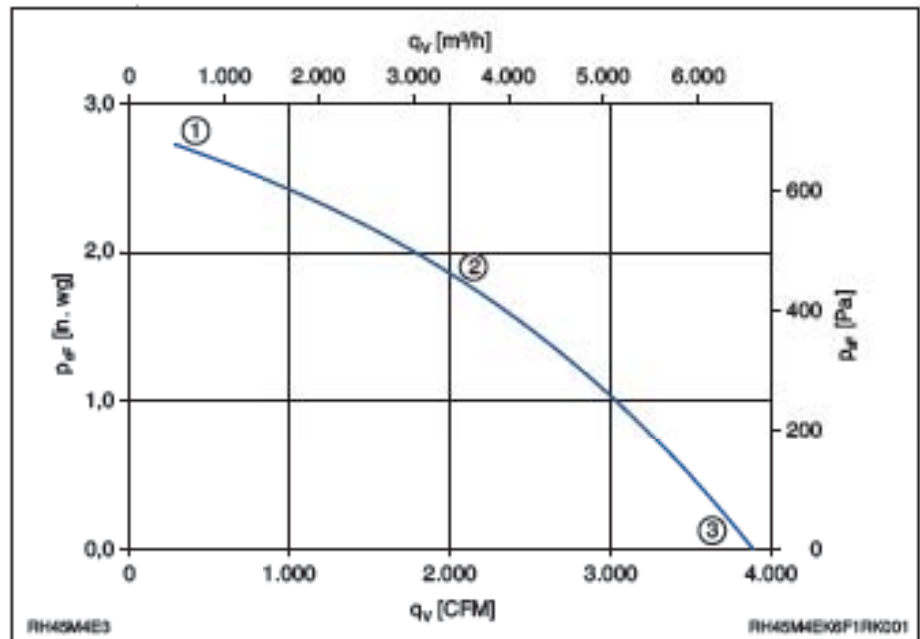


# VC SANAT

The demands of air flow uniformity are magnified with the increased requirements of higher room cleanliness classifications and more end users are specifying reduced variation of velocity profiles.

## Low noise

High efficiency includes low noise levels. Special sound measuring facilities make it possible to detect every peak in frequency bands and to improve a spectrum by designing new noise patterns.



P <sub>1</sub>	1,2	kW
I	5,2	A
n	1420	min <sup>-1</sup>
I <sub>A</sub>	10,5	A
ΔI	0	%
C <sub>100V</sub>	20	μF
t <sub>n</sub>	50	°C
m	16	kg

	U	I	P <sub>1</sub>	n	L <sub>WA</sub>
	V	A	W	min <sup>-1</sup>	dB
①	4,1	940	1630		
②	230	5,2	1200	1420	77
③	4,6	1050	1550		85

## Technical Data

Model	Economic Class	A Class	B Class
Specifications			
Aluminum filter	√	√	√
Pleated pre filter G4	√	√	√
Bag filter F9	x	√	x
Hepa filter H11	√	√	√
Pleated activated carbon filter	√	√	√
Granule activated carbon filter	√	√	√
Vacuum gauge	√	x	√
Differential pressure manometer	√	√	x
Inverter	x	√	√
fume arm	1	1	1
Motor brand	SIEMENS	SIEMENS	SIEMENS
Motor power (Kw)	2.2	3	2.2
RPM	2800	2800	2800
Air volume (CFM)	1500	2000	1500
Fan pressure (Pa)	750	850	750
Sound (dB)	61	59	61

## Construction



Metal Panels



Pleated Filters



Plug Fan



Bag Filter F9

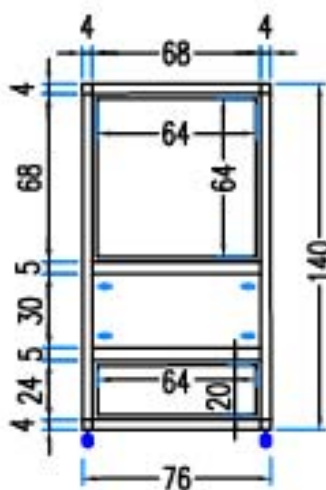


High Efficiency  
H10 , H14

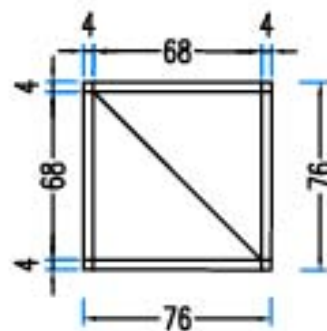


Bonded and Loose Filled  
Carbon Panels

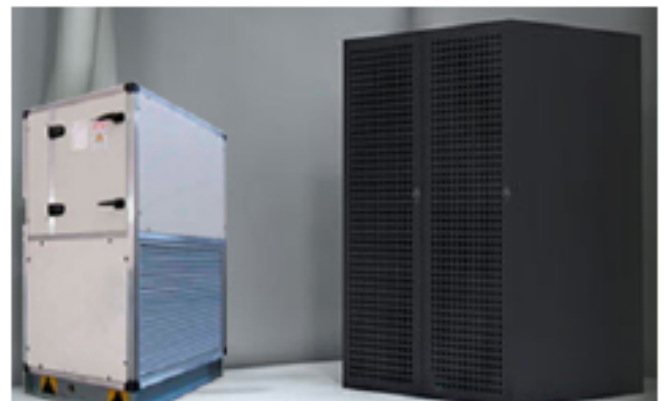
## Dimensions



Front View



Top View



دفتر و نمایشگاه مرکزی:  
تهران، خیابان انقلاب، بیج شمیران،  
خیابان صفی علیستاه، خیابان اصلولو،  
پلاک ۱۹ کد پستی: ۱۱۳۸۹۵۳۵۱۳  
تلفن: ۲-۷۷۶۵۷۲۹۰ فاکس: ۷۷۵۲۲۵۸۳  
پست الکترونیک: [info@vcsanat.org](mailto:info@vcsanat.org)  
پایگاه اینترنتی: [www.vcsanat.org](http://www.vcsanat.org)

