

ACOUSTIC CABINET FANS IN LINE SLIM BOX - ILBD Series



Low profile fans manufactured from heavy gauge **galvanised steel sheet** and internally lined with **melamine foam** flame retardant **acoustic insulation**. Supplied with a removable **cover closing hermetically**. All models incorporate single phase direct-drive forward curved centrifugal fan and IP 44 **remote terminal box**.

Easy to mount



Low noise level

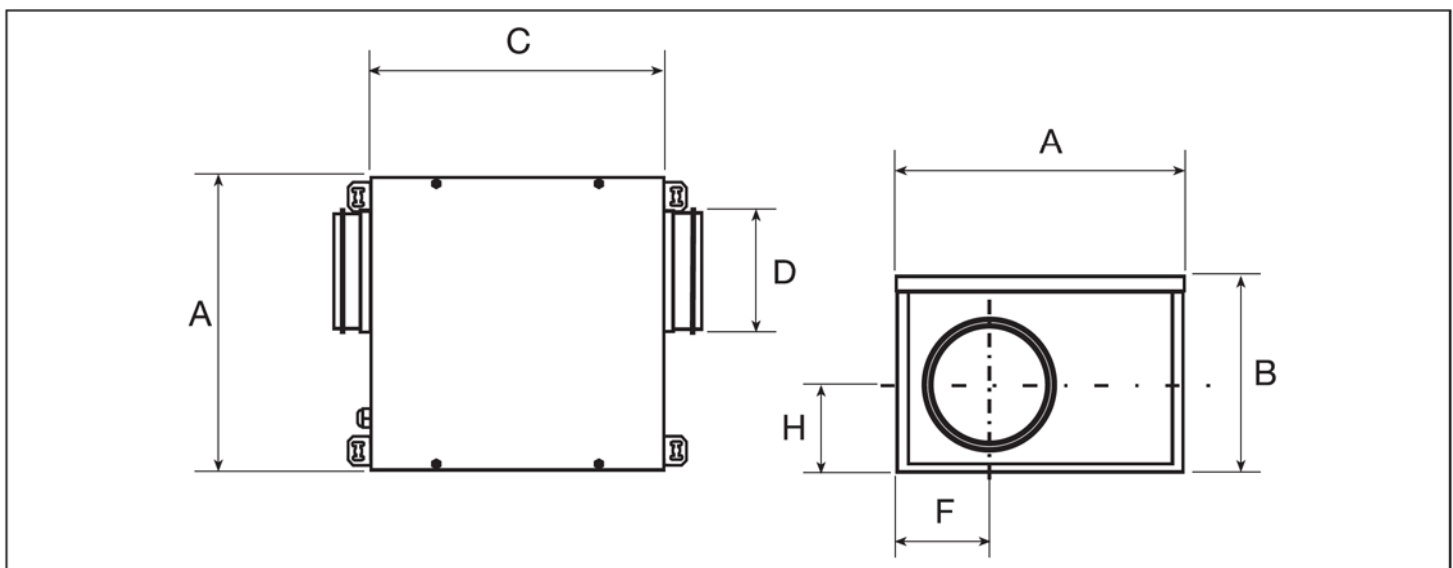


■ Technical characteristics

Model	Motor speed (r.p.m.)	Power (W)	IP protection	Ins. Class	Max. abs. current 50 Hz 230 V (A)	Maximum airflow (m³/h)	Sound pressure level* (dB(A))	Weight (kg)
IL BDRS 120	2441	97	IP 44	B	0,43	295	46	6.2
IL BDRS 140	2215	170	IP 44	B	0,75	450	48	7.3
IL BDRS 160	2037	240	IP 44	B	1	565	52	9.8
IL BDRS 180	2780	650	IP 44	B	3	1200	55	12.5

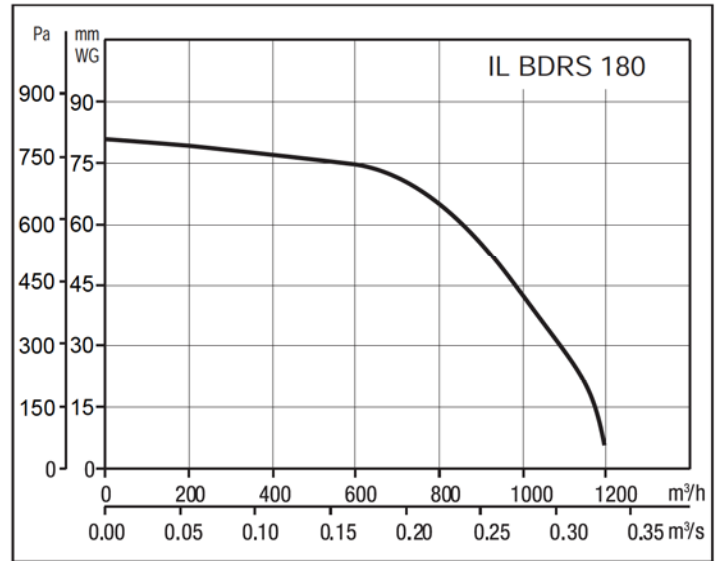
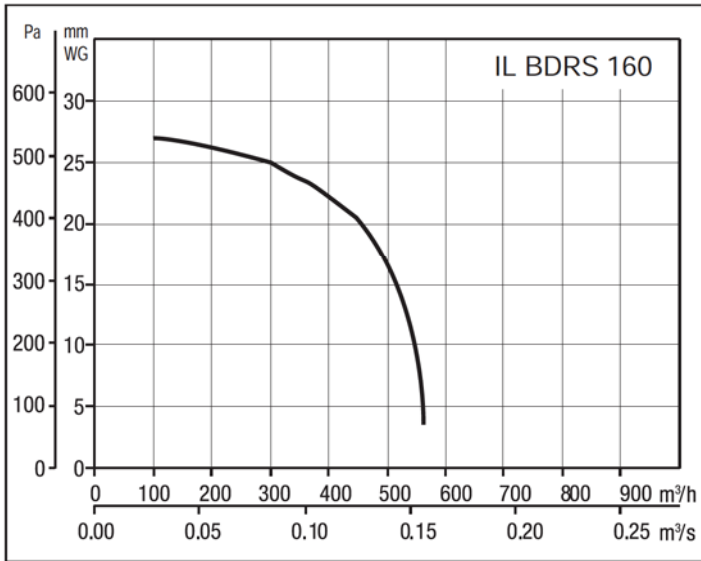
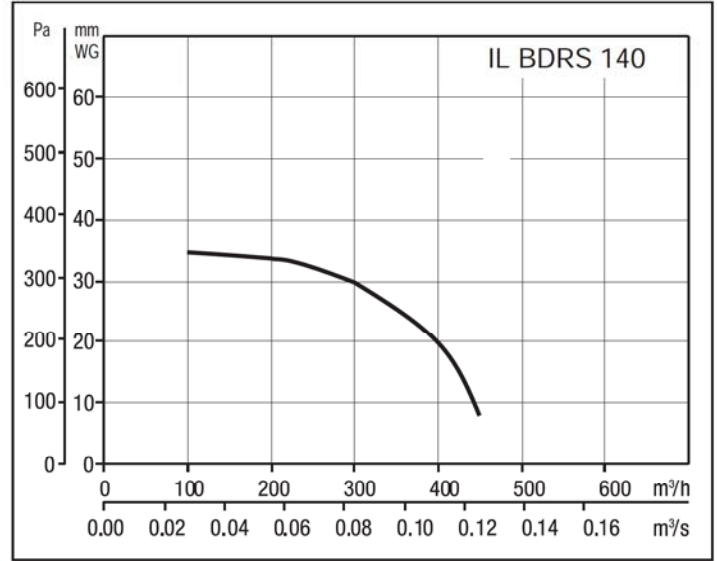
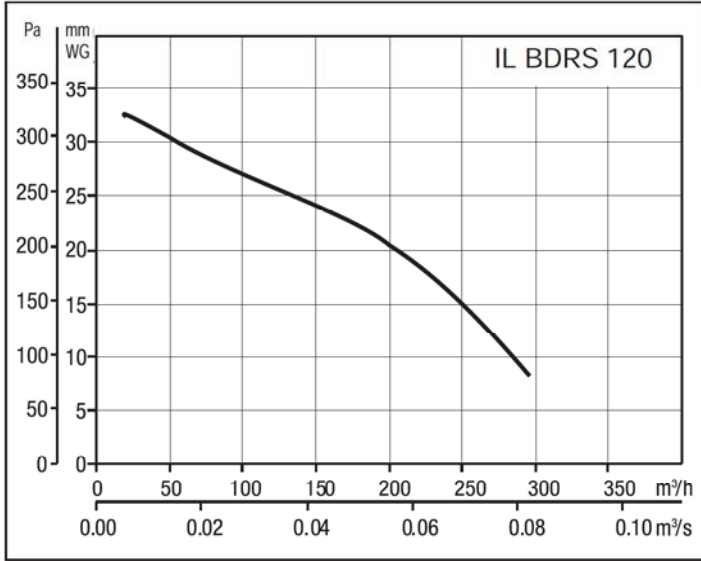
* Sound pressures measured at 1,5m, at the curves at 2/3 of Qmax, at the inlet side, and free discharge.

■ Dimensions (mm)



Model	A	B	C	Ø D	F	H
IL BDRS 120	255	235	255	100	90	95
IL BDRS 140	295	245	285	150	115	120
IL BDRS 160	345	255	355	150	125	130
IL BDRS 180	445	305	343	200	225	163

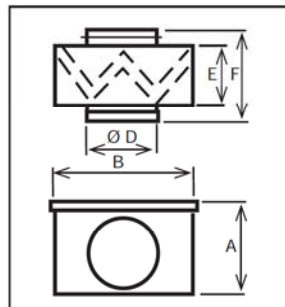
■ Performance curves



■ Mounting accessories

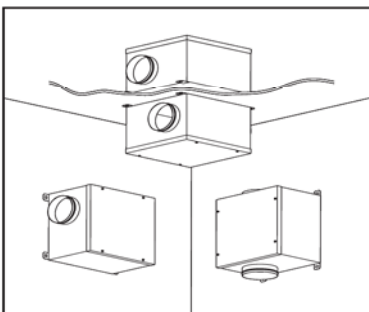


MFL
Filtration boxes



Model	A	B	D	E	F
FB-120	200	200	125	160	196
FB-140	200	200	160	154	196
FB-160	243	244	200	154	202
FB-180	293	294	250	154	206

INSTALLATION AT ANY POSITION



Can be mounted in vertical, horizontal or inverted position

VAI
Interior air valve



GCI
Interior circular grille



GSI
Interior square grille

