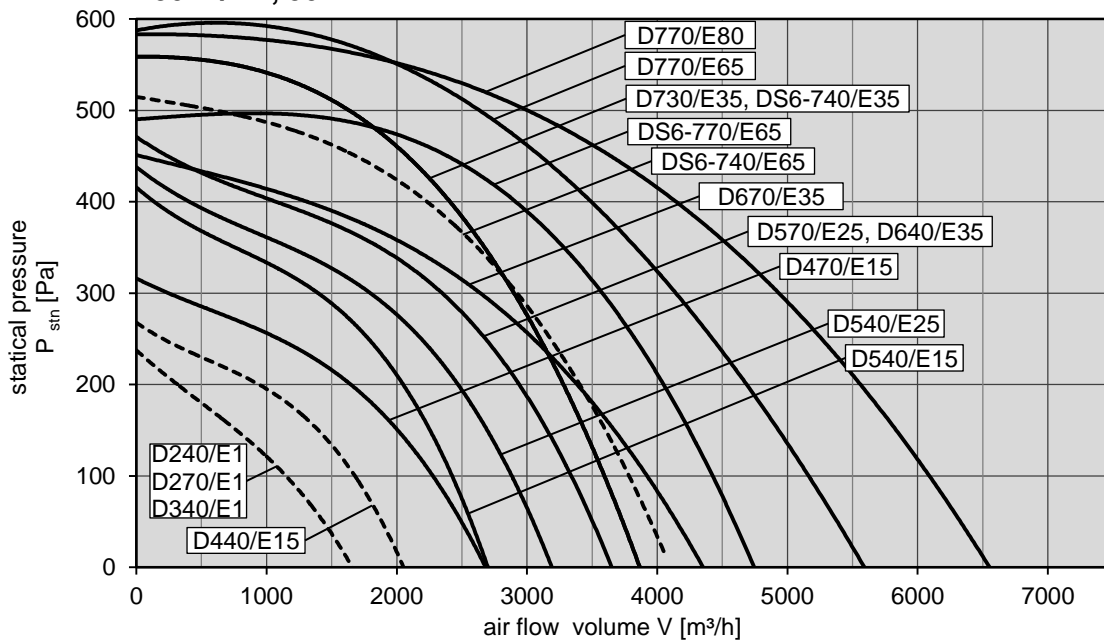
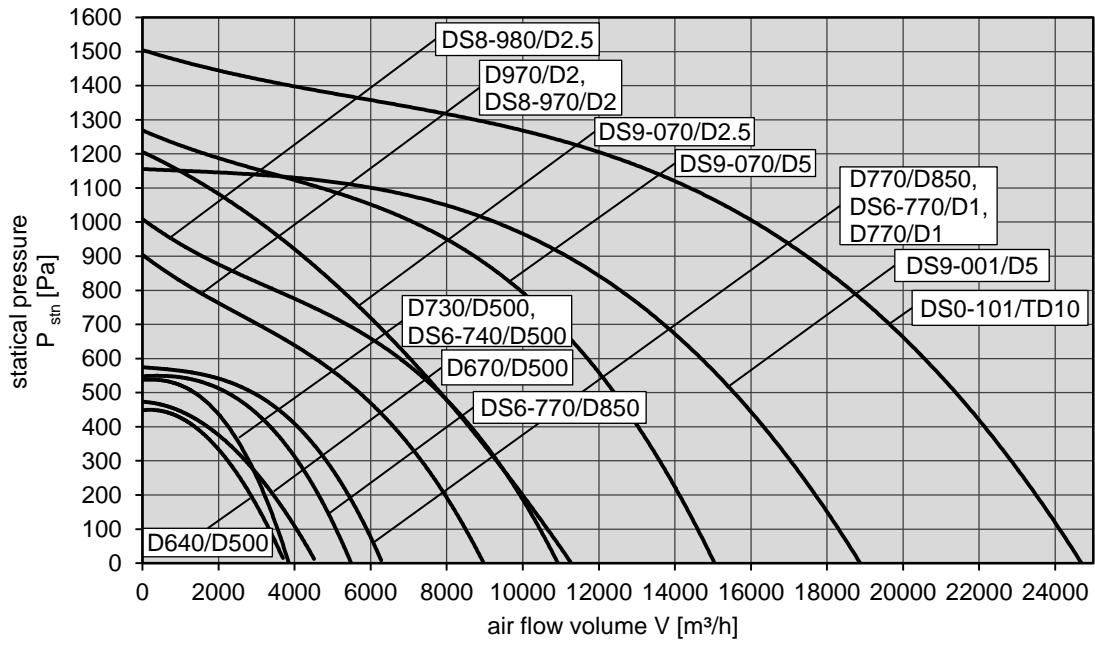


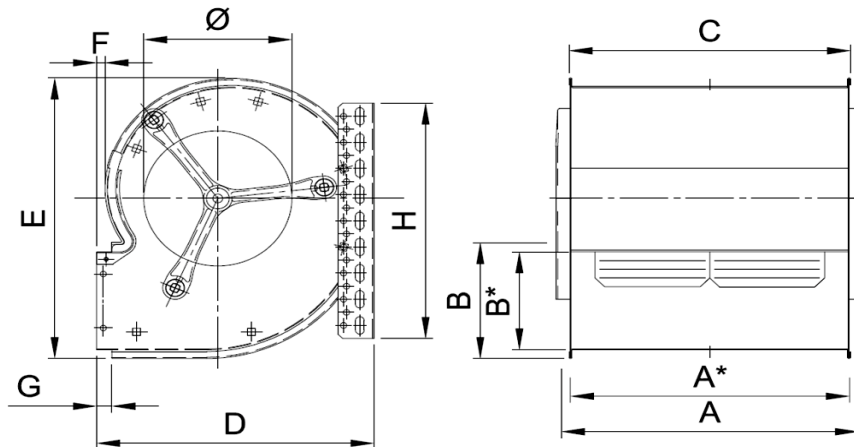
**Type D/DS...**  
**230 V / 1~, 50 Hz**



**Type D/DS...**  
**400 V / 3~, 50 Hz**

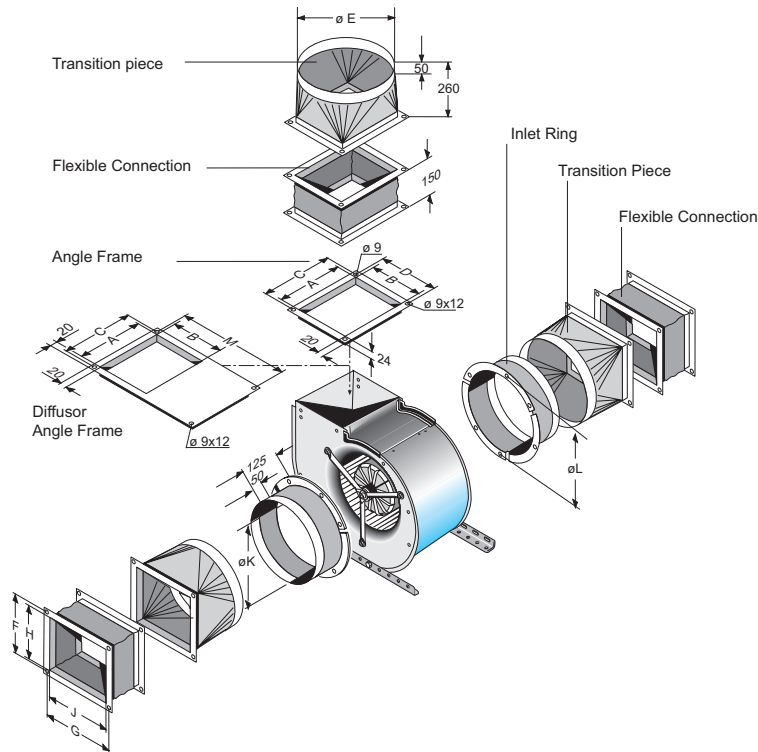


## FISCHBACH COMPACT FANS D / DS- series - casing dimensions overview -



type	A	B	C	D	E	F	G	H	Ø	A*	B*
D240/E1	322	133	294	261	262	18	16	330	140	292	112
D270/E1	408	133	380	261	262	18	16	330	140	378	112
D340/E1	322	133	294	293	322	9	16	270	155	292	112
D440/E15	322	147	294	331	367	9	16	330	167	292	127
D470/E15	418	147	380	331	367	9	16	330	167	378	127
D540/E15	332	172	294	380	421	12	16	390	199	292	150
D540/E25	332	172	294	380	421	12	16	390	199	292	150
D570/E25	418	172	380	380	421	12	16	390	199	378	150
D640/E35	332	186	294	421	475	10	16	390	215	292	166
D670/E35	418	186	380	421	475	10	16	390	215	378	166
D730/E35	287	218	249	489	547	10	16	510	243	247	194
DS6-740/E35	332	186	294	421	475	10	16	390	243	292	166
DS6-740/E65	332	186	294	421	475	10	16	390	243	292	166
DS6-770/E65	418	186	380	421	475	10	16	390	243	378	166
D770/E65	418	218	380	489	547	8	16	510	243	378	194
D770/E80	418	218	380	489	547	8	16	510	243	378	194
D640/D500	332	186	294	421	475	12	16	390	215	292	166
DS6-740/D500	332	186	294	421	475	12	16	390	243	292	166
D730/D500	287	218	249	489	547	10	16	510	243	247	194
D670/D500	418	186	380	421	475	12	16	390	215	378	166
DS6-770/D850	418	186	380	421	475	10	16	390	243	378	166
D770/D850	418	218	380	489	547	8	16	510	243	378	194
DS6-770/D1	418	186	380	421	475	10	16	390	243	378	166
D770/D1	418	218	380	489	547	8	16	510	243	378	194
D970/D2	448	268	411	543	588	24	16	510	322	408	245
DS8-970/D2	448	281	411	620	696	8	16	630	322	408	258
DS8-980/D2,5	488	268	451	543	588	24	16	510	322	448	245
DS9-070/D2,5	448	281	411	620	696	8	16	630	365	408	258
DS9-070/D5	448	281	411	620	696	8	16	630	365	408	258
DS9-001/D5	598	281	551	620	696	8	16	630	330	548	258
DS0-101/TD10	598	321	551	655	746	14	16	630	365	548	299

## FISCHBACH COMPACT FANS D / DS- series - accessories' dimensions -



type	A	B	C	D	Ø E	F	G	H	J	M	Ø K	Ø L
D 240/E1 **	288	108	310	130	245	168	212	146	190	-	155	175
D 270/E1 **	375	108	396	130	245	168	212	146	190	-	155	175
D 340/E 1 **	288	108	310	130	245	168	212	146	190	-	155	194
D 440/E 15 **	288	120	310	142	245	142	212	120	190	-	195	224
D 470/E15	374	120	396	142	245	142	212	120	190	-	195	224
D 540/E 15	288	146	310	168	245	168	212	146	190	310	195	270
D 540/E 25	288	146	310	168	245	168	212	146	190	310	195	270
D 570/E 25	374	146	396	168	310	168	212	146	190	310	195	270
D 640/E 35	288	162	310	184	245	184	265	162	243	310	245	300
D 730/E 35	243	190	265	212	310	212	265	190	243	310	310	350
D 670/E 35	374	162	396	184	310	184	265	162	243	310	245	300
DS 6-740/E 35	288	162	310	184	245	212	165	190	243	310	310	350
DS 6-740/E 65	288	162	310	184	245	212	265	190	243	310	310	350
DS 6-770/E 65	374	162	396	184	310	184	265	162	243	310	310	350
D 770/E 65	374	190	396	212	350	212	265	190	243	396	310	350
D 770/E 80	374	190	396	212	350	212	265	190	243	396	310	350
D 640/D 500	288	162	310	184	245	184	265	162	243	310	245	300
DS 6-740/D 500	288	162	310	184	245	212	265	190	243	310	310	350
D 730/D 500	243	190	265	212	310	212	265	190	243	310	310	350
D 670/D 500	374	162	396	184	310	184	265	162	243	310	245	300
DS 6-770/D 850	374	162	396	184	310	184	265	162	243	310	245	300
D 770/D 850	374	190	396	212	350	212	265	190	243	396	310	350
DS 6-770/D 1	374	162	396	184	310	184	265	162	243	310	245	300
D 770/D 1	374	190	396	212	350	212	265	190	243	396	310	350
D 970/D 2	404	255	426	277	395	212	396	190	374	396	350	440
DS8-970/D 2* **	404	243	426	265	445	212	396	190	374	-	-	-
DS8-980/D 2.5* **	444	243	466	265	495	212	396	190	374	-	-	-
DS 9-070/D 2.5	404	255	426	277	395	265	426	243	404	396	350	440
DS 9-070/D 5	404	255	426	277	395	265	426	243	404	396	350	440
DS 9-001/D 5 *	544	255	566	277	-	265	426	243	404	396	350	440
DS 0-101/TD 10 *	544	295	566	317	-	265	426	243	404	355	-	-

\* No transition piece available !

\*\* No diffusor angle frame available !

**sound data for FISCHBACH-Compact-Fan  
type: D + DS = double inlet**

**D 240/E 1**

*sound pressure level Lp in dB (A)							
operat. voltage [V]	80	100	125	150	170	190	230
<b>inlet</b>	39	45	49	52	54	56	58
<b>discharge</b>	41	46	50	54	55	56	59

\* related to room absorption of 8 db (25m<sup>2</sup> Sabine), at free air!  
measured in distance of 3 m

inlet side: sound power level Lw in dB (linear) at mid frequency in Hz (at free air!)										A-weighted [dB(A)]	discharge side: sound power level Lw in dB (linear) at mid frequency in Hz (at free air!)										A-weighted [dB(A)]
oper. volts [V]	63	125	250	500	1000	2000	4000	8000	total 45-11200	oper. volts [V]	63	125	250	500	1000	2000	4000	8000	total 45-11200		
<b>80</b>	43	41	39	43	42	37	33	33	48	<b>80</b>	45	40	40	46	43	38	37	33	50		
<b>100</b>	49	45	45	50	48	44	42	37	54	<b>100</b>	50	46	47	52	58	45	42	39	53		
<b>125</b>	52	50	49	55	51	48	45	40	58	<b>125</b>	53	51	51	55	54	49	48	41	57		
<b>150</b>	54	53	53	57	56	51	50	45	62	<b>150</b>	55	54	55	58	55	51	50	45	61		
<b>170</b>	55	55	54	59	57	54	51	47	63	<b>170</b>	57	55	55	60	57	53	54	47	62		
<b>190</b>	56	55	55	59	58	54	52	47	64	<b>190</b>	60	58	58	62	60	54	54	49	64		
<b>230</b>	60	58	58	62	60	55	54	50	66	<b>230</b>	61	59	59	64	61	59	55	51	66		

**D 270/E 1**

*sound pressure level Lp in dB (A)							
operat. voltage [V]	80	100	125	150	170	190	230
<b>inlet</b>	40	46	49	53	55	56	59
<b>discharge</b>	42	46	51	53	56	58	61

\* related to room absorption of 8 db (25m<sup>2</sup> Sabine), at free air!  
measured in distance of 3 m

inlet side: sound power level Lw in dB (linear) at mid frequency in Hz (at free air!)										A-weighted [dB(A)]	discharge side: sound power level Lw in dB (linear) at mid frequency in Hz (at free air!)										A-weighted [dB(A)]
oper. volts [V]	63	125	250	500	1000	2000	4000	8000	total 45-11200	oper. volts [V]	63	125	250	500	1000	2000	4000	8000	total 45-11200		
<b>80</b>	46	42	40	45	43	38	36	34	48	<b>80</b>	46	41	41	45	43	39	38	35	50		
<b>100</b>	50	46	44	50	49	45	42	38	51	<b>100</b>	51	47	48	50	58	46	43	41	52		
<b>125</b>	52	51	48	55	51	49	45	40	55	<b>125</b>	53	51	51	53	54	49	47	41	58		
<b>150</b>	55	53	53	57	57	52	50	46	61	<b>150</b>	56	55	56	56	55	52	51	46	61		
<b>170</b>	55	56	55	59	57	54	51	47	61	<b>170</b>	57	55	54	59	57	53	53	47	62		
<b>190</b>	58	56	55	60	59	56	53	48	62	<b>190</b>	60	59	57	60	60	55	55	49	64		
<b>230</b>	61	59	57	62	60	56	54	50	66	<b>230</b>	61	59	58	61	61	60	56	52	66		

**D 340/E 1**

*sound pressure level Lp in dB (A)							
operat. voltage [V]	80	100	125	150	170	190	230
<b>inlet</b>	41	47	51	54	56	58	60
<b>discharge</b>	43	48	52	56	58	59	61

\* related to room absorption of 8 db (25m<sup>2</sup> Sabine), at free air!

inlet side: sound power level Lw in dB (linear) at mid frequency in Hz (at free air!)										A-weighted [dB(A)]	discharge side: sound power level Lw in dB (linear) at mid frequency in Hz (at free air!)										A-weighted [dB(A)]
oper. volts [V]	63	125	250	500	1000	2000	4000	8000	total 45-11200	oper. volts [V]	63	125	250	500	1000	2000	4000	8000	total 45-11200		
<b>80</b>	47	43	43	48	44	40	39	34	49	<b>80</b>	48	44	44	49	46	41	40	35	51		
<b>100</b>	51	48	48	53	50	46	44	40	55	<b>100</b>	53	50	50	55	52	47	46	41	56		
<b>125</b>	55	52	52	57	54	50	48	43	59	<b>125</b>	56	54	54	58	56	52	50	45	60		
<b>150</b>	57	55	55	60	58	54	52	47	62	<b>150</b>	59	57	57	61	59	55	53	49	64		
<b>170</b>	59	57	57	62	60	56	54	49	64	<b>170</b>	60	59	59	63	61	57	56	51	66		
<b>190</b>	60	59	59	63	61	57	56	51	66	<b>190</b>	62	60	61	65	63	59	57	52	67		
<b>230</b>	62	61	61	65	63	59	57	53	68	<b>230</b>	63	62	63	67	65	61	59	54	69		

**sound data for FISCHBACH-Compact-Fan**  
**type: D + DS = double inlet**

**D 440/E 15**  
**D 470/E 15**

*sound pressure level Lp in dB (A)							
operat. voltage [V]	80	100	125	150	170	190	230
<b>inlet</b>	37	45	50	55	57	59	61
<b>discharge</b>	38	46	52	57	59	61	63

\* related to room absorption of 8 db (25m<sup>2</sup> Sabine), at free air!  
measured in distance of 3 m

inlet side: sound power level Lw in dB (linear) at mid frequency in Hz (at free air!)										A-weighted [dB(A)]	discharge side: sound power level Lw in dB (linear) at mid frequency in Hz (at free air!)										A-weighted [dB(A)]
oper. volts [V]	63	125	250	500	1000	2000	4000	8000	total 45-11200	oper. volts [V]	63	125	250	500	1000	2000	4000	8000	total 45-11200		
<b>80</b>	43	38	38	44	40	35	34	29	45	<b>80</b>	45	40	40	45	41	36	35	30	46		
<b>100</b>	50	46	46	51	48	44	42	38	53	<b>100</b>	51	48	48	53	50	45	44	39	54		
<b>125</b>	54	52	52	56	54	50	48	43	58	<b>125</b>	56	53	53	58	55	51	50	45	60		
<b>150</b>	58	56	56	61	59	55	53	48	63	<b>150</b>	60	58	58	62	60	56	54	50	65		
<b>170</b>	60	59	59	63	61	57	55	50	65	<b>170</b>	62	60	61	65	63	59	57	52	67		
<b>190</b>	61	60	61	64	63	59	57	52	67	<b>190</b>	63	62	62	66	65	61	59	54	69		
<b>230</b>	63	62	62	66	65	61	59	54	69	<b>230</b>	64	64	64	68	66	63	61	56	71		

**D 540/E 15**  
**D 540/E 25**

*sound pressure level Lp in dB (A)							
operat. voltage [V]	80	100	125	150	170	190	230
<b>inlet</b>	40	46	53	58	61	63	66
<b>discharge</b>	41	48	54	60	63	65	68

\* related to room absorption of 8 db (25m<sup>2</sup> Sabine), at free air!  
measured in distance of 3 m

inlet side: sound power level Lw in dB (linear) at mid frequency in Hz (at free air!)										A-weighted [dB(A)]	discharge side: sound power level Lw in dB (linear) at mid frequency in Hz (at free air!)										A-weighted [dB(A)]
oper. volts [V]	63	125	250	500	1000	2000	4000	8000	total 45-11200	oper. volts [V]	63	125	250	500	1000	2000	4000	8000	total 45-11200		
<b>80</b>	46	41	41	46	43	38	37	32	48	<b>80</b>	47	43	43	48	44	40	38	33	49		
<b>100</b>	51	47	48	52	49	45	43	39	54	<b>100</b>	52	49	49	54	51	46	45	40	56		
<b>125</b>	56	54	54	59	56	52	50	46	61	<b>125</b>	58	56	56	60	58	54	52	47	62		
<b>150</b>	60	59	59	63	61	58	56	51	66	<b>150</b>	62	61	61	65	63	59	57	53	68		
<b>170</b>	63	62	62	66	65	61	59	54	69	<b>170</b>	64	64	64	68	66	63	61	56	71		
<b>190</b>	64	64	64	68	67	63	61	56	71	<b>190</b>	66	66	66	70	69	65	63	58	73		
<b>230</b>	67	67	67	71	70	66	64	59	74	<b>230</b>	69	69	69	73	72	68	66	61	76		

**sound data for FISCHBACH-Compact-Fan  
type: D + DS = double inlet**

**D 570/E 25**

*sound pressure level Lp in dB (A)							
operat. voltage [V]	80	100	125	150	170	190	230
<b>inlet</b>	36	43	50	55	59	61	65
<b>discharge</b>	37	44	52	57	60	63	67

\* related to room absorption of 8 db (25m<sup>2</sup> Sabine), at free air!  
measured in distance of 3 m

inlet side: sound power level Lw in dB (linear) at mid frequency in Hz (at free air!)										A-weighted [dB(A)]	discharge side: sound power level Lw in dB (linear) at mid frequency in Hz (at free air!)										A-weighted [dB(A)]
oper. volts [V]	63	125	250	500	1000	2000	4000	8000	total 45-11200	oper. volts [V]	63	125	250	500	1000	2000	4000	8000	total 45-11200		
<b>80</b>	43	38	38	43	39	34	33	28	44	<b>80</b>	44	39	39	44	40	36	34	30	45		
<b>100</b>	48	44	44	49	46	41	40	35	51	<b>100</b>	50	46	46	51	47	43	41	37	52		
<b>125</b>	54	51	52	56	53	49	48	43	58	<b>125</b>	56	53	53	58	55	51	49	44	60		
<b>150</b>	58	56	56	61	59	55	53	48	63	<b>150</b>	60	58	58	62	60	56	55	50	65		
<b>170</b>	61	60	60	64	62	58	56	52	67	<b>170</b>	62	61	62	66	64	60	58	53	68		
<b>190</b>	63	62	63	66	65	61	59	55	69	<b>190</b>	65	64	64	68	67	63	61	56	71		
<b>230</b>	66	66	67	70	69	66	64	59	73	<b>230</b>	68	68	68	72	71	67	65	61	75		

**D 640/E 35**

*sound pressure level Lp in dB (A)							
operat. voltage [V]	80	100	125	150	170	190	230
<b>inlet</b>	40	48	56	61	64	66	68
<b>discharge</b>	42	49	57	63	66	68	70

\* related to room absorption of 8 db (25m<sup>2</sup> Sabine), at free air!  
measured in distance of 3 m

inlet side: sound power level Lw in dB (linear) at mid frequency in Hz (at free air!)										A-weighted [dB(A)]	discharge side: sound power level Lw in dB (linear) at mid frequency in Hz (at free air!)										A-weighted [dB(A)]
oper. volts [V]	63	125	250	500	1000	2000	4000	8000	total 45-11200	oper. volts [V]	63	125	250	500	1000	2000	4000	8000	total 45-11200		
<b>80</b>	46	42	42	47	43	39	37	33	48	<b>80</b>	48	43	43	48	45	40	39	34	50		
<b>100</b>	52	49	49	54	51	47	45	40	56	<b>100</b>	54	50	51	55	52	48	47	42	57		
<b>125</b>	58	57	57	61	59	55	53	49	64	<b>125</b>	60	58	59	63	61	57	55	50	65		
<b>150</b>	63	62	62	66	65	61	59	54	69	<b>150</b>	64	64	64	68	66	63	61	56	71		
<b>170</b>	65	65	65	69	68	64	62	57	72	<b>170</b>	67	67	67	71	70	66	64	59	74		
<b>190</b>	67	67	67	71	70	67	65	60	74	<b>190</b>	69	69	69	73	72	68	66	62	76		
<b>230</b>	69	69	69	73	72	69	67	62	76	<b>230</b>	70	71	71	75	74	71	69	64	78		

**D 670/E 35**

*sound pressure level Lp in dB (A)							
operat. voltage [V]	80	100	125	150	170	190	230
<b>inlet</b>	43	49	56	60	63	65	68
<b>discharge</b>	44	51	57	62	65	67	70

\* related to room absorption of 8 db (25m<sup>2</sup> Sabine), at free air!  
measured in distance of 3 m

inlet side: sound power level Lw in dB (linear) at mid frequency in Hz (at free air!)										A-weighted [dB(A)]	discharge side: sound power level Lw in dB (linear) at mid frequency in Hz (at free air!)										A-weighted [dB(A)]
oper. volts [V]	63	125	250	500	1000	2000	4000	8000	total 45-11200	oper. volts [V]	63	125	250	500	1000	2000	4000	8000	total 45-11200		
<b>80</b>	48	44	44	49	46	42	40	35	51	<b>80</b>	50	46	46	51	47	43	42	37	52		
<b>100</b>	54	51	51	56	53	49	47	42	57	<b>100</b>	55	52	53	57	54	50	49	44	65		
<b>125</b>	58	57	57	61	59	55	53	48	64	<b>125</b>	60	58	59	63	61	57	55	50	65		
<b>150</b>	62	61	62	66	64	60	58	54	68	<b>150</b>	64	63	63	67	66	62	60	55	70		
<b>170</b>	64	64	64	68	67	63	61	56	71	<b>170</b>	66	66	66	70	69	65	63	58	73		
<b>190</b>	66	66	66	70	69	65	63	58	73	<b>190</b>	68	68	68	72	71	67	65	60	75		
<b>230</b>	68	69	69	72	72	68	66	61	76	<b>230</b>	70	71	71	74	74	70	68	63	78		

**sound data for FISCHBACH-Compact-Fan  
type: D + DS = double inlet**

**D 730/E 35**

*sound pressure level Lp in dB (A)							
operat. voltage [V]	80	100	125	150	170	190	230
<b>inlet</b>	41	47	54	59	63	66	70
<b>discharge</b>	27	34	40	46	50	54	57

\* related to room absorption of 8 db (25m<sup>2</sup> Sabine), at free air!  
measured in distance of 3 m

inlet side: sound power level Lw in dB (linear) at mid frequency in Hz (at free air!)										A-weighted [dB(A)]	discharge side: sound power level Lw in dB (linear) at mid frequency in Hz (at free air!)										A-weighted [dB(A)]
oper. volts [V]	63	125	250	500	1000	2000	4000	8000	total 45-11200	oper. volts [V]	63	125	250	500	1000	2000	4000	8000	total 45-11200		
<b>80</b>	49	51	49	47	47	34	30	27	51	<b>80</b>	47	44	45	46	44	34	30	27	50		
<b>100</b>	52	55	53	52	52	45	39	33	55	<b>100</b>	53	49	49	53	50	45	40	36	54		
<b>125</b>	59	59	58	59	58	53	51	46	61	<b>125</b>	60	56	53	59	56	51	50	46	60		
<b>150</b>	63	64	63	62	62	59	57	54	66	<b>150</b>	63	64	59	62	60	57	56	54	64		
<b>170</b>	67	69	68	66	66	64	63	61	70	<b>170</b>	69	68	64	67	65	63	63	61	69		
<b>190</b>	69	72	70	67	69	66	66	64	73	<b>190</b>	71	72	67	68	68	66	66	65	73		
<b>230</b>	74	75	74	70	73	71	70	69	76	<b>230</b>	75	74	71	70	72	69	69	69	75		

**DS 6-740/E 35**

*sound pressure level Lp in dB (A)							
operat. voltage [V]	80	100	125	150	170	190	230
<b>inlet</b>	40	47	55	60	64	66	68
<b>discharge</b>	42	49	57	63	65	68	70

\* related to room absorption of 8 db (25m<sup>2</sup> Sabine), at free air!  
measured in distance of 3 m

inlet side: sound power level Lw in dB (linear) at mid frequency in Hz (at free air!)										A-weighted [dB(A)]	discharge side: sound power level Lw in dB (linear) at mid frequency in Hz (at free air!)										A-weighted [dB(A)]
oper. volts [V]	63	125	250	500	1000	2000	4000	8000	total 45-11200	oper. volts [V]	63	125	250	500	1000	2000	4000	8000	total 45-11200		
<b>80</b>	45	42	42	47	42	38	37	33	47	<b>80</b>	48	42	43	48	44	39	39	35	49		
<b>100</b>	52	48	49	54	50	48	45	40	55	<b>100</b>	54	49	52	55	51	49	46	41	56		
<b>125</b>	58	57	56	60	59	55	52	48	63	<b>125</b>	59	57	59	62	61	57	55	50	66		
<b>150</b>	62	61	62	65	66	61	58	55	69	<b>150</b>	64	64	64	67	66	64	61	55	72		
<b>170</b>	66	65	66	69	68	64	61	57	71	<b>170</b>	67	67	66	70	71	66	64	59	74		
<b>190</b>	67	67	66	71	71	68	65	60	74	<b>190</b>	68	69	63	72	71	69	65	61	77		
<b>230</b>	69	68	69	73	71	69	68	63	76	<b>230</b>	70	71	72	74	73	71	69	64	79		

**DS 6-740/E 65**

*sound pressure level Lp in dB (A)							
operat. voltage [V]	80	100	125	150	170	190	230
<b>inlet</b>	41	47	55	61	65	67	69
<b>discharge</b>	42	49	57	63	65	69	71

\* related to room absorption of 8 db (25m<sup>2</sup> Sabine), at free air!  
measured in distance of 3 m

inlet side: sound power level Lw in dB (linear) at mid frequency in Hz (at free air!)										A-weighted [dB(A)]	discharge side: sound power level Lw in dB (linear) at mid frequency in Hz (at free air!)										A-weighted [dB(A)]
oper. volts [V]	63	125	250	500	1000	2000	4000	8000	total 45-11200	oper. volts [V]	63	125	250	500	1000	2000	4000	8000	total 45-11200		
<b>80</b>	46	43	42	48	43	39	38	33	48	<b>80</b>	47	42	44	48	45	39	39	35	50		
<b>100</b>	53	48	50	54	51	49	46	40	55	<b>100</b>	54	49	52	55	52	49	46	41	56		
<b>125</b>	59	58	56	61	59	56	53	49	64	<b>125</b>	59	57	59	62	61	57	55	50	67		
<b>150</b>	62	61	62	65	66	61	58	55	69	<b>150</b>	64	65	64	67	67	64	61	55	72		
<b>170</b>	66	64	65	68	68	64	61	57	72	<b>170</b>	67	67	67	70	71	66	64	59	75		
<b>190</b>	67	67	66	71	71	68	65	60	74	<b>190</b>	68	69	69	72	72	69	65	61	78		
<b>230</b>	70	68	70	73	71	70	68	63	77	<b>230</b>	70	71	72	74	73	71	69	64	79		



**sound data for FISCHBACH-Compact-Fan  
type: D + DS = double inlet**

**DS 6-770/E 65**

*sound pressure level Lp in dB (A)							
operat. voltage [V]	80	100	125	150	170	190	230
<b>inlet</b>	42	48	54	59	61	64	67
<b>discharge</b>	43	50	55	60	63	66	69

\* related to room absorption of 8 db (25m<sup>2</sup> Sabine), at free air!  
measured in distance of 3 m

inlet side: sound power level Lw in dB (linear) at mid frequency in Hz (at free air!)										A-weighted [dB(A)]	discharge side: sound power level Lw in dB (linear) at mid frequency in Hz (at free air!)										A-weighted [dB(A)]
oper. volts [V]	63	125	250	500	1000	2000	4000	8000	total 45-11200	oper. volts [V]	63	125	250	500	1000	2000	4000	8000	total 45-11200		
<b>80</b>	47	43	43	48	45	40	39	34	50	<b>80</b>	49	44	45	50	46	42	40	35	51		
<b>100</b>	52	49	50	54	51	47	46	41	56	<b>100</b>	54	51	51	56	53	49	47	42	58		
<b>125</b>	57	55	55	60	57	53	52	47	62	<b>125</b>	59	57	57	61	59	55	53	48	63		
<b>150</b>	61	60	60	64	62	58	56	52	67	<b>150</b>	62	61	62	66	64	60	58	53	68		
<b>170</b>	63	62	63	66	65	61	59	54	69	<b>170</b>	65	64	64	68	67	63	61	56	71		
<b>190</b>	65	65	65	69	67	64	62	57	72	<b>190</b>	67	66	67	70	69	66	64	59	74		
<b>230</b>	68	68	638	72	71	68	65	61	75	<b>230</b>	70	70	70	74	73	70	67	62	77		

**D 770/E 65**

*sound pressure level Lp in dB (A)							
operat. voltage [V]	80	100	125	150	170	190	230
<b>inlet</b>	46	51	57	62	64	67	70
<b>discharge</b>	47	53	59	63	66	69	72

\* related to room absorption of 8 db (25m<sup>2</sup> Sabine), at free air!  
measured in distance of 3 m

inlet side: sound power level Lw in dB (linear) at mid frequency in Hz (at free air!)										A-weighted [dB(A)]	discharge side: sound power level Lw in dB (linear) at mid frequency in Hz (at free air!)										A-weighted [dB(A)]
oper. volts [V]	63	125	250	500	1000	2000	4000	8000	total 45-11200	oper. volts [V]	63	125	250	500	1000	2000	4000	8000	total 45-11200		
<b>80</b>	50	47	47	52	49	45	43	38	54	<b>80</b>	52	48	49	53	50	46	44	40	55		
<b>100</b>	55	52	53	57	55	50	49	44	59	<b>100</b>	56	54	54	59	56	52	50	46	61		
<b>125</b>	60	58	58	63	61	57	55	50	65	<b>125</b>	61	60	60	64	62	58	57	52	67		
<b>150</b>	63	63	63	67	65	62	60	55	70	<b>150</b>	65	64	65	68	67	63	61	57	71		
<b>170</b>	65	65	65	69	68	64	62	58	72	<b>170</b>	67	67	67	71	70	66	64	59	74		
<b>190</b>	67	67	68	71	70	67	65	60	75	<b>190</b>	69	69	70	73	72	69	67	62	77		
<b>230</b>	70	71	71	74	74	70	68	63	78	<b>230</b>	72	73	73	76	76	72	70	65	80		

**D 770/E 80**

*sound pressure level Lp in dB (A)							
operat. voltage [V]	80	100	125	150	170	190	230
<b>inlet</b>	45	53	61	66	68	70	72
<b>discharge</b>	46	55	62	68	70	72	75

\* related to room absorption of 8 db (25m<sup>2</sup> Sabine), at free air!  
measured in distance of 3 m

inlet side: sound power level Lw in dB (linear) at mid frequency in Hz (at free air!)										A-weighted [dB(A)]	discharge side: sound power level Lw in dB (linear) at mid frequency in Hz (at free air!)										A-weighted [dB(A)]
oper. volts [V]	63	125	250	500	1000	2000	4000	8000	total 45-11200	oper. volts [V]	63	125	250	500	1000	2000	4000	8000	total 45-11200		
<b>80</b>	52	46	46	51	48	44	42	37	53	<b>80</b>	51	48	48	53	49	45	44	39	54		
<b>100</b>	57	55	55	59	57	53	51	46	61	<b>100</b>	58	56	56	61	58	54	53	48	63		
<b>125</b>	62	62	62	66	64	61	59	54	69	<b>125</b>	64	63	64	68	66	62	60	55	70		
<b>150</b>	67	67	67	71	70	66	64	59	74	<b>150</b>	69	69	69	73	72	68	66	61	76		
<b>170</b>	69	69	69	73	72	69	67	62	76	<b>170</b>	70	71	71	75	74	71	69	64	78		
<b>190</b>	69	70	70	74	73	70	68	63	78	<b>190</b>	71	72	72	76	75	72	70	65	80		
<b>230</b>	72	73	73	76	76	73	71	66	80	<b>230</b>	74	75	75	79	78	75	73	68	83		

**sound data for FISCHBACH-Compact-Fan  
type: D + DS = double inlet**

**D 640/D 500**

*sound pressure level Lp in dB (A)					
operat. voltage [V]	120	180	230	280	400
<b>inlet</b>	53	60	63	66	68
<b>discharge</b>	54	61	65	68	70

\* related to room absorption of 8 db (25m<sup>2</sup> Sabine), at free air!  
measured in distance of 3 m

inlet side: sound power level Lw in dB (linear) at mid frequency in Hz (at free air!)										A-weighted [dB(A)]	discharge side: sound power level Lw in dB (linear) at mid frequency in Hz (at free air!)										A-weighted [dB(A)]
oper. volts [V]	63	125	250	500	1000	2000	4000	8000	total 45-11200	oper. volts [V]	63	125	250	500	1000	2000	4000	8000	total 45-11200		
<b>120</b>	56	55	55	58	55	53	50	44	62	<b>120</b>	56	55	55	60	58	52	52	48	62		
<b>180</b>	63	62	63	65	65	60	58	55	67	<b>180</b>	62	64	63	67	65	63	60	54	69		
<b>230</b>	65	66	65	68	68	65	63	58	71	<b>230</b>	65	65	66	70	69	65	64	58	75		
<b>280</b>	67	68	68	71	70	67	64	60	74	<b>280</b>	68	69	71	72	72	68	66	62	76		
<b>400</b>	69	70	70	72	72	69	66	62	77	<b>400</b>	70	71	72	75	75	71	68	64	78		

**DS 6-740/D 500**

*sound pressure level Lp in dB (A)					
operat. voltage [V]	120	180	230	280	400
<b>inlet</b>	52	60	64	66	67
<b>discharge</b>	54	62	65	68	71

\* related to room absorption of 8 db (25m<sup>2</sup> Sabine), at free air!  
measured in distance of 3 m

inlet side: sound power level Lw in dB (linear) at mid frequency in Hz (at free air!)										A-weighted [dB(A)]	discharge side: sound power level Lw in dB (linear) at mid frequency in Hz (at free air!)										A-weighted [dB(A)]
oper. volts [V]	63	125	250	500	1000	2000	4000	8000	total 45-11200	oper. volts [V]	63	125	250	500	1000	2000	4000	8000	total 45-11200		
<b>120</b>	55	55	56	58	55	52	50	44	61	<b>120</b>	55	56	57	60	58	52	52	48	62		
<b>180</b>	63	62	64	65	65	60	58	55	67	<b>180</b>	62	64	63	67	65	63	60	54	69		
<b>230</b>	66	66	66	68	67	65	63	58	40	<b>230</b>	65	65	67	70	69	65	64	58	74		
<b>280</b>	67	68	68	71	70	66	64	60	74	<b>280</b>	68	68	71	72	72	68	66	62	75		
<b>400</b>	68	69	70	72	71	69	66	62	78	<b>400</b>	71	71	72	75	74	71	67	64	76		

**D 730/D 500**

*sound pressure level Lp in dB (A)					
operat. voltage [V]	120	180	230	280	400
<b>inlet</b>	54	61	63	66	67
<b>discharge</b>	53	62	65	68	70

\* related to room absorption of 8 db (25m<sup>2</sup> Sabine), at free air!  
measured in distance of 3 m

inlet side: sound power level Lw in dB (linear) at mid frequency in Hz (at free air!)										A-weighted [dB(A)]	discharge side: sound power level Lw in dB (linear) at mid frequency in Hz (at free air!)										A-weighted [dB(A)]
oper. volts [V]	63	125	250	500	1000	2000	4000	8000	total 45-11200	oper. volts [V]	63	125	250	500	1000	2000	4000	8000	total 45-11200		
<b>120</b>	56	54	55	57	55	52	50	43	62	<b>120</b>	55	55	56	60	58	52	51	48	62		
<b>180</b>	62	62	62	65	64	60	59	54	67	<b>180</b>	61	64	63	67	65	63	60	54	69		
<b>230</b>	66	66	65	68	68	65	63	58	71	<b>230</b>	65	65	67	69	69	66	64	58	75		
<b>280</b>	67	68	68	71	69	67	64	60	74	<b>280</b>	68	69	71	72	72	68	66	62	76		
<b>400</b>	68	70	69	72	71	69	67	62	77	<b>400</b>	70	71	72	74	75	72	68	64	78		

**sound data for FISCHBACH-Compact-Fan  
type: D + DS = double inlet**

**D 670/D 500**

*sound pressure level Lp in dB (A)					
operat. voltage [V]	120	180	230	280	400
<b>inlet</b>	54	61	63	67	69
<b>discharge</b>	55	62	65	69	72

\* related to room absorption of 8 db (25m<sup>2</sup> Sabine), at free air!  
measured in distance of 3 m

inlet side: sound power level Lw in dB (linear) at mid frequency in Hz (at free air!)										A-weighted [dB(A)]	discharge side: sound power level Lw in dB (linear) at mid frequency in Hz (at free air!)										A-weighted [dB(A)]
oper. volts [V]	63	125	250	500	1000	2000	4000	8000	total 45-11200		oper. volts [V]	63	125	250	500	1000	2000	4000	8000	total 45-11200	
<b>120</b>	57	56	56	59	56	54	51	45	63		<b>120</b>	58	56	55	61	59	53	52	50	63	
<b>180</b>	64	63	63	65	65	60	58	55	67		<b>180</b>	62	64	64	68	65	64	60	55	69	
<b>230</b>	65	66	66	67	68	65	64	59	71		<b>230</b>	66	66	66	70	69	65	65	58	76	
<b>280</b>	68	69	68	71	71	68	64	60	75		<b>280</b>	68	69	71	72	73	68	66	63	77	
<b>400</b>	69	70	71	72	72	69	67	63	77		<b>400</b>	71	71	73	75	75	72	69	65	78	

**DS 6-770/D 850  
DS 6-770/D 1**

*sound pressure level Lp in dB (A)					
operat. voltage [V]	120	180	230	280	400
<b>inlet</b>	56	63	67	70	72
<b>discharge</b>	57	65	69	72	74

\* related to room absorption of 8 db (25m<sup>2</sup> Sabine), at free air!  
measured in distance of 3 m

inlet side: sound power level Lw in dB (linear) at mid frequency in Hz (at free air!)										A-weighted [dB(A)]	discharge side: sound power level Lw in dB (linear) at mid frequency in Hz (at free air!)										A-weighted [dB(A)]
oper. volts [V]	63	125	250	500	1000	2000	4000	8000	total 45-11200		oper. volts [V]	63	125	250	500	1000	2000	4000	8000	total 45-11200	
<b>120</b>	58	57	57	61	59	55	53	49	64		<b>120</b>	60	58	59	63	61	57	55	50	65	
<b>180</b>	65	64	65	68	67	63	61	57	71		<b>180</b>	66	66	66	70	69	65	63	58	73	
<b>230</b>	67	68	68	71	71	67	65	60	75		<b>230</b>	69	69	70	73	72	69	67	62	77	
<b>280</b>	69	70	71	74	73	70	68	63	78		<b>280</b>	71	72	73	76	75	72	70	65	80	
<b>400</b>	71	72	73	76	76	72	70	65	80		<b>400</b>	73	74	75	78	78	74	72	67	82	

**D 770/D 850  
D 770/D 1**

*sound pressure level Lp in dB (A)					
operat. voltage [V]	120	180	230	280	400
<b>inlet</b>	58	65	69	72	74
<b>discharge</b>	59	67	71	74	77

\* related to room absorption of 8 db (25m<sup>2</sup> Sabine), at free air!  
measured in distance of 3 m

inlet side: sound power level Lw in dB (linear) at mid frequency in Hz (at free air!)										A-weighted [dB(A)]	discharge side: sound power level Lw in dB (linear) at mid frequency in Hz (at free air!)										A-weighted [dB(A)]
oper. volts [V]	63	125	250	500	1000	2000	4000	8000	total 45-11200		oper. volts [V]	63	125	250	500	1000	2000	4000	8000	total 45-11200	
<b>120</b>	60	59	59	63	61	57	56	51	66		<b>120</b>	62	61	61	65	63	59	57	52	67	
<b>180</b>	66	66	66	70	69	65	63	58	73		<b>180</b>	68	68	68	72	71	67	65	60	75	
<b>230</b>	69	69	70	73	73	69	67	62	77		<b>230</b>	71	71	72	75	74	71	69	64	79	
<b>280</b>	71	72	72	76	75	72	70	65	80		<b>280</b>	73	74	75	78	77	74	72	67	82	
<b>400</b>	73	75	75	78	78	75	73	68	82		<b>400</b>	75	77	77	80	80	77	75	70	85	

**sound data for FISCHBACH-Compact-Fan  
type: D + DS = double inlet**

**D 970/D 2  
DS 8-970/D 2**

*sound pressure level Lp in dB (A)					
operat. voltage [V]	120	180	230	280	400
<b>inlet</b>	55	61	66	69	74
<b>discharge</b>	57	63	68	71	76

\* related to room absorption of 8 db (25m<sup>2</sup> Sabine), at free air!  
measured in distance of 3 m

inlet side: sound power level Lw in dB (linear) at mid frequency in Hz (at free air!)										A-weighted [dB(A)]	discharge side: sound power level Lw in dB (linear) at mid frequency in Hz (at free air!)										A-weighted [dB(A)]
oper. volts [V]	63	125	250	500	1000	2000	4000	8000	total 45-11200	oper. volts [V]	63	125	250	500	1000	2000	4000	8000	total 45-11200		
<b>120</b>	58	56	57	61	59	55	53	48	63	<b>120</b>	60	58	58	62	60	56	55	50	65		
<b>180</b>	63	62	62	66	65	61	59	54	69	<b>180</b>	65	64	64	68	67	63	61	56	71		
<b>230</b>	67	67	67	71	70	66	64	59	74	<b>230</b>	69	69	69	73	72	68	66	61	76		
<b>280</b>	69	70	70	74	73	70	68	63	77	<b>280</b>	71	72	72	76	75	72	70	65	79		
<b>400</b>	73	75	75	78	78	75	73	67	82	<b>400</b>	75	77	77	80	80	77	75	70	84		

**DS 9-070/D 2.5**

*sound pressure level Lp in dB (A)					
operat. voltage [V]	120	180	230	280	400
<b>inlet</b>	56	65	70	72	77
<b>discharge</b>	58	67	72	75	79

\* related to room absorption of 8 db (25m<sup>2</sup> Sabine), at free air!  
measured in distance of 3 m

inlet side: sound power level Lw in dB (linear) at mid frequency in Hz (at free air!)										A-weighted [dB(A)]	discharge side: sound power level Lw in dB (linear) at mid frequency in Hz (at free air!)										A-weighted [dB(A)]
oper. volts [V]	63	125	250	500	1000	2000	4000	8000	total 45-11200	oper. volts [V]	63	125	250	500	1000	2000	4000	8000	total 45-11200		
<b>120</b>	59	57	57	62	60	56	54	49	64	<b>120</b>	60	59	59	63	61	57	56	51	66		
<b>180</b>	66	66	66	70	69	65	63	58	73	<b>180</b>	68	68	68	72	71	67	65	60	75		
<b>230</b>	69	70	70	74	73	70	68	63	78	<b>230</b>	71	72	72	76	75	72	70	65	80		
<b>280</b>	72	73	73	76	76	73	71	66	80	<b>280</b>	74	75	75	79	78	75	73	68	83		
<b>400</b>	75	77	78	81	81	78	75	70	85	<b>400</b>	77	80	80	83	83	80	78	73	87		

**DS 9-070/D 5**

*sound pressure level Lp in dB (A)					
operat. voltage [V]	120	180	230	280	400
<b>inlet</b>	60	70	75	78	81
<b>discharge</b>	63	73	78	81	84

\* related to room absorption of 8 db (25m<sup>2</sup> Sabine), at free air!  
measured in distance of 3 m

inlet side: sound power level Lw in dB (linear) at mid frequency in Hz (at free air!)										A-weighted [dB(A)]	discharge side: sound power level Lw in dB (linear) at mid frequency in Hz (at free air!)										A-weighted [dB(A)]
oper. volts [V]	63	125	250	500	1000	2000	4000	8000	total 45-11200	oper. volts [V]	63	125	250	500	1000	2000	4000	8000	total 45-11200		
<b>120</b>	62	61	62	65	64	60	58	53	68	<b>120</b>	64	64	64	68	66	62	61	56	71		
<b>180</b>	70	71	71	74	74	71	68	63	78	<b>180</b>	72	73	74	77	77	73	71	66	81		
<b>230</b>	74	75	76	79	79	76	73	68	83	<b>230</b>	76	78	78	81	82	78	76	71	86		
<b>280</b>	76	78	79	81	82	79	76	71	86	<b>280</b>	78	81	81	84	85	81	79	74	89		
<b>400</b>	78	81	81	84	85	82	79	74	89	<b>400</b>	81	84	84	87	88	85	82	77	92		

**sound data for FISCHBACH-Compact-Fan  
type: D + DS = double inlet**

**DS 8-980/D 2.5**

*sound pressure level Lp in dB (A)					
operat. voltage [V]	120	180	230	280	400
<b>inlet</b>	55	64	69	72	76
<b>discharge</b>	57	66	70	74	78

\* related to room absorption of 8 db (25m<sup>2</sup> Sabine), at free air!  
measured in distance of 3 m

inlet side: sound power level Lw in dB (linear) at mid frequency in Hz (at free air!)										A-weighted [dB(A)]	discharge side: sound power level Lw in dB (linear) at mid frequency in Hz (at free air!)										A-weighted [dB(A)]
oper. volts [V]	63	125	250	500	1000	2000	4000	8000	total 45-11200	oper. volts [V]	63	125	250	500	1000	2000	4000	8000	total 45-11200		
<b>120</b>	58	56	57	61	59	55	53	48	63	<b>120</b>	60	58	58	63	60	57	55	50	65		
<b>180</b>	65	65	65	69	68	64	62	57	72	<b>180</b>	67	67	67	71	69	66	64	59	74		
<b>230</b>	69	69	70	73	72	69	67	62	77	<b>230</b>	71	71	71	75	74	71	69	64	78		
<b>280</b>	71	73	73	76	76	72	70	65	80	<b>280</b>	73	75	75	78	78	75	72	67	82		
<b>400</b>	75	77	77	80	80	77	75	70	84	<b>400</b>	77	79	79	82	82	79	77	72	86		

**DS 9-001/D 5**

*sound pressure level Lp in dB (A)					
operat. voltage [V]	120	180	230	280	400
<b>inlet</b>	60	70	75	78	81
<b>discharge</b>	62	72	77	80	84

\* related to room absorption of 8 db (25m<sup>2</sup> Sabine), at free air!  
measured in distance of 3 m

inlet side: sound power level Lw in dB (linear) at mid frequency in Hz (at free air!)										A-weighted [dB(A)]	discharge side: sound power level Lw in dB (linear) at mid frequency in Hz (at free air!)										A-weighted [dB(A)]
oper. volts [V]	63	125	250	500	1000	2000	4000	8000	total 45-11200	oper. volts [V]	63	125	250	500	1000	2000	4000	8000	total 45-11200		
<b>120</b>	62	61	61	65	63	60	58	53	68	<b>120</b>	63	63	63	67	65	61	59	55	70		
<b>180</b>	70	71	71	74	74	71	68	63	78	<b>180</b>	72	73	73	76	76	73	70	65	80		
<b>230</b>	74	75	76	79	79	76	73	68	83	<b>230</b>	76	78	78	81	81	78	76	70	85		
<b>280</b>	76	78	79	81	82	79	76	71	86	<b>280</b>	78	80	81	84	84	81	79	73	88		
<b>400</b>	78	81	82	84	85	82	80	75	89	<b>400</b>	81	84	84	87	88	85	82	77	92		

**DS 0-101/TD 10**

*sound pressure level Lp in dB (A)					
operat. voltage [V]	120	180	230	280	400
<b>inlet</b>	66	74	79	81	84
<b>discharge</b>	68	76	81	84	87

\* related to room absorption of 8 db (25m<sup>2</sup> Sabine), at free air!  
measured in distance of 3 m

inlet side: sound power level Lw in dB (linear) at mid frequency in Hz (at free air!)										A-weighted [dB(A)]	discharge side: sound power level Lw in dB (linear) at mid frequency in Hz (at free air!)										A-weighted [dB(A)]
oper. volts [V]	63	125	250	500	1000	2000	4000	8000	total 45-11200	oper. volts [V]	63	125	250	500	1000	2000	4000	8000	total 45-11200		
<b>120</b>	67	67	67	71	70	66	64	59	74	<b>120</b>	68	69	69	72	72	68	66	61	76		
<b>180</b>	73	75	75	75	78	75	73	68	82	<b>180</b>	75	77	77	80	80	77	75	70	84		
<b>230</b>	77	79	79	79	83	80	77	72	87	<b>230</b>	79	81	82	84	85	82	79	74	89		
<b>280</b>	79	82	82	82	85	82	80	75	89	<b>280</b>	81	84	84	87	88	85	82	77	92		
<b>400</b>	81	85	85	85	88	86	83	78	92	<b>400</b>	83	87	87	90	91	88	85	80	95		

## FISCHBACH COMPACT FANS D / DS- series - speed controller assignment -

assignment of the speed controllers for Compact Fans, type: D-DS double inlet								
E = single-phase 230V, 1N~, 50 Hz			automatic speed control		speed controller, stepless		speed controller, stepwise	
			with casing, without sensors and pre-set device		with casing, with rotary knob and scale		with casing, with 7 step switch	
type	*	part no.	type	part no.	type	part no.	type	part no.
D 240/E1	1432 1,47	11802	FRA 32	62511	FDR 32	61621	FDR 420	62011
D 270/E1	1788 1,58	11812	FRA 32	62511	FDR 32	61621	FDR 420	62011
D 340/E 1	1624 1,46	11822	FRA 32	62511	FDR 32	61621	FDR 420	62011
D 440/E 15	2037 1,77	11842	FRA 32	62511	FDR 32	61621	FDR 420	62011
D 470/E15	2679 2,07	11850	FRA 32	62511	FDR 32	61621	FDR 420	62011
D 540/E 15	2718 2,52	11862	FRA 32	6251	FDR 32	61621	FDR 420	62011
D 540/E 25	3202 3,56	11872	FRA 55	62521	FDR 55	61631	FDR 420	62011
D 570/E 25	3733 4,00	11892	FRA 55	62521	FDR 55	61631	FDR 420	62011
D 640/E 35	3652 4,93	11902	FRA 55	62521	FDR 55	61631	FDR 750	62021
D 670/E 35	4358 4,92	11912	FRA 55	62521	FDR 55	61631	FDR 750	62021
D 730/E 35	3922 5,92	16190	FRA 55	62521	FDR 55	61631	FDR 750	62021
DS 6-740/E 35	3902 5,75	15771	FRA 55	62521	FDR 55	61631	FDR 750	62021
DS 6-740/E 65	4064 5,55	16300	FRA 80	62531	FDR 80	61641	FDR 750	62021
DS 6-770/E 65	4757 5,65	11922	FRA 80	62531	FDR 80	61641	FDR 750	62021
D 770/E 65	5728 6,58	11932	FRA 80	62531	FDR 80	61641	FDR 750	62021
D 770/E 80	6622 8,84	12042	FRA 120	62551	FDR 120	61651	FDR 1300	62042
D = three-phase 400V, 3N~, 50 Hz								
type	*	part no.	type	part no.	type	part no.	type	part no.
D 640/D 500	3691 2,13	16210	FRA 55/3	62811	FDR 55/3	62312	FDR 2.75/3	61811
DS6-740/D 500	3878 2,62	16280	FRA 55/3	62811	FDR 55/3	62312	FDR 2.75/3	61811
D 730/D 500	3871 2,42	16200	FRA 55/3	62811	FDR 55/3	62312	FDR 2.75/3	61811
D 670/D 500	4514 2,14	16230	FRA 55/3	62811	FDR 55/3	62312	FDR 2.75/3	61811
DS 6-770/D850	5697 3,74	16250	FRA 55/3	62811	FDR 55/3	62312	FDR 5.5/3	61821
D 770/D850	6090 3,94	16350	FRA 55/3	62811	FDR 55/3	62312	FDR 5.5/3	61821
DS 6-770/D 1	6276 5,13	12022	FRA 55/3	62811	FDR 55/3	62312	FDR 5.5/3	61821
D 770/D 1	6493 4,90	11952	FRA 55/3	62811	FDR 55/3	62312	FDR 5.5/3	61821
D 970/D 2	9074 7,00	11962	FRA 80/3	62821	FDR 80/3	62321	FDR 8.0/3	61831
DS 8-970/D 2	8123 6,45	12072	FRA 80/3	62821	FDR 80/3	62321	FDR 8.0/3	61831
DS 8-980/D 2.5	11004 11,4	15220	FRA 120/3	62831	FDR 120/3	62331	FDR 11.3/3	61851
DS 9-070/D 2.5	11252 10,75	11972	FRA 120/3	62831	FDR 120/3	62331	FDR 11.3/3	61851
DS 9-070/D 5	15102 19,36	11982	FRA 200/3	62851	FDR 200/3	62351	FDR 20/3	61771
DS 9-001/D 5	16808 19,95	11992	FRA 200/3	62851	FDR 200/3	62351	FDR 20/3	61771
DS 0-101/TD 10	24800 36,4	12012	FRA 400/3	62871	FDR 400/3	62371	FDR 40/3	61791

\* 1st line: air volume, free air [m³/h]  
2nd line: current consumption [A]