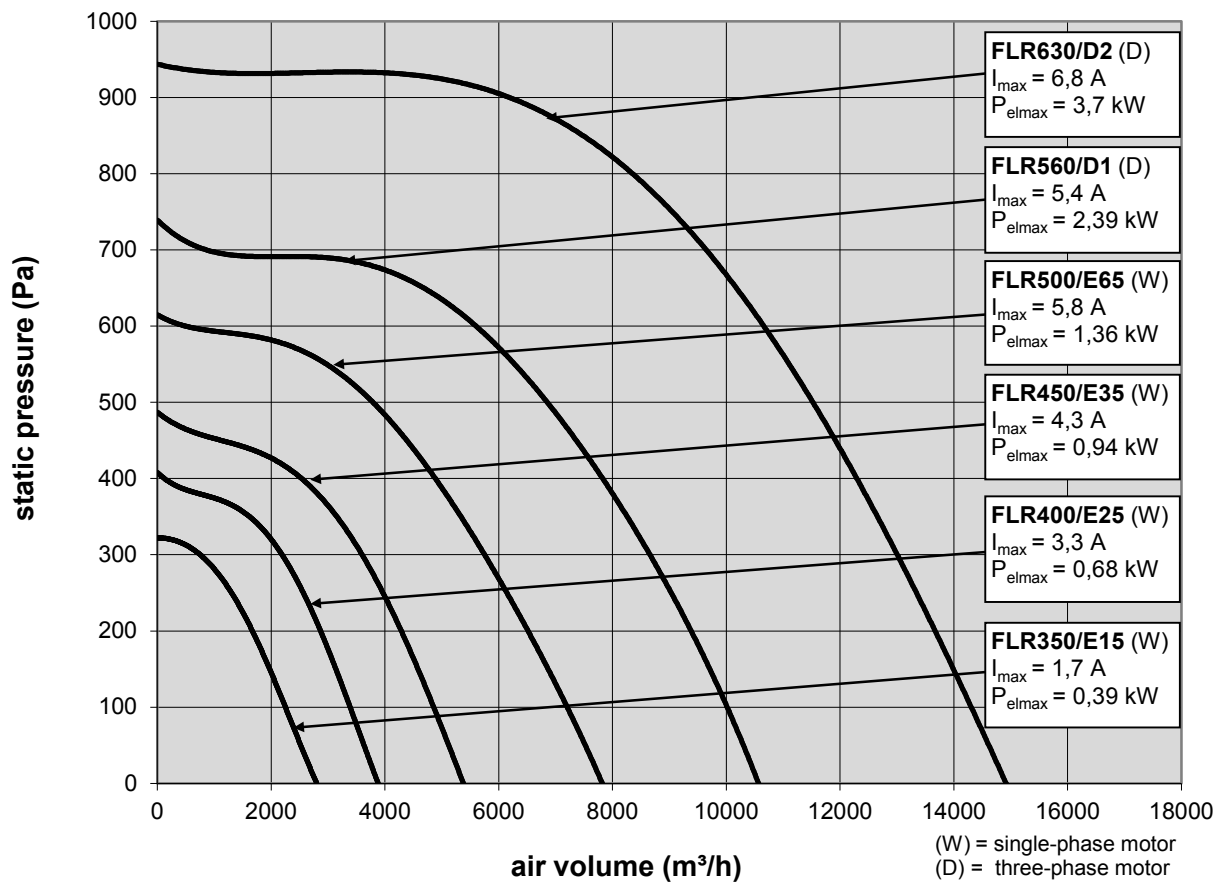
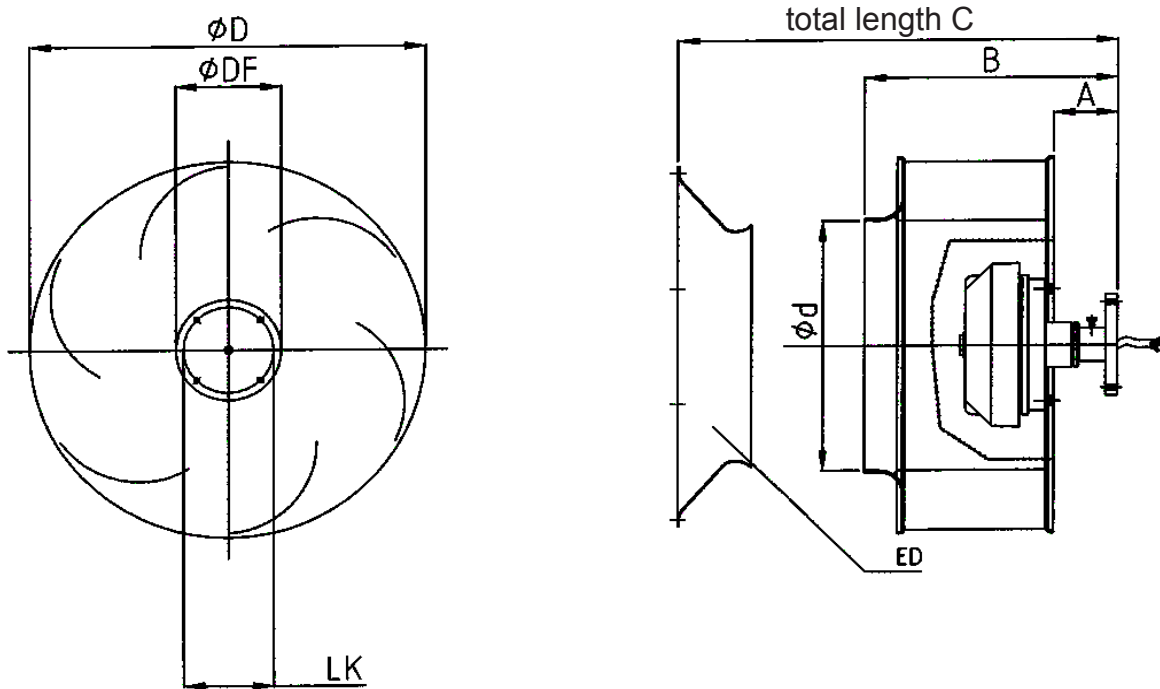


## FISCHBACH - FREEWHEELING IMPELLER - diagram overview -

outline P/V - system curve freewheeling impellers



## FISCHBACH - FREEWHEELING IMPELLER - casing dimensions overview -



Fischbach Motor		D2	D1	E 65	E 35	E 25	E 15
Free wheeling impeller (FLRxxx)		630	560	500	450	400	355
diameter wheel	D	Ø635	Ø570	Ø504	Ø454	Ø404	Ø365
diameter flange	DF	Ø185	Ø135	Ø135	Ø135	Ø135	Ø135
hole circle	LK	Ø162	Ø115	Ø115	Ø115	Ø115	Ø115
inner diameter	d	Ø418	Ø375	Ø334,5	Ø298	Ø265,5	Ø236,5
distance wheel - flange	A	63	81	81	70	66	60
distance wheel inlet - flange	B	362	348	322	283,5	254	228
total length	C	480	452	411	364	329	294
diameter hole		4xØ8,4	4xØ6,4	4xØ6,4	4xØ6,4	4xØ6,4	4xØ6,4