

FUME ARM

1000m³h@Hood

Heavy Duty Table

Down Draft Exhaust

Small Revolving Table

Arm Diameter: 160mm

Arm Lengths: 2m

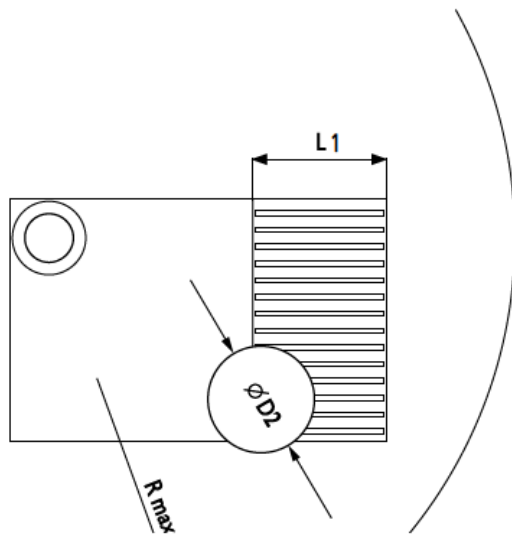
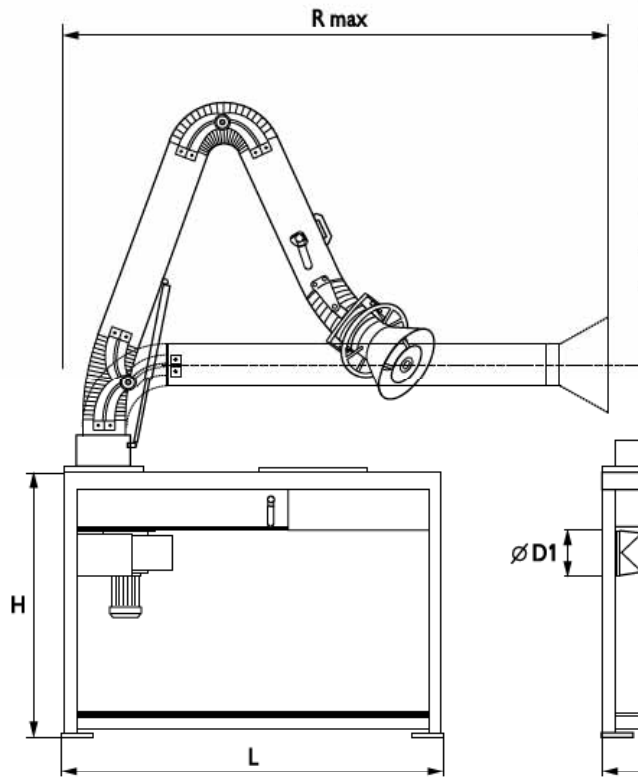


Industrial strength in capturing:

- **WELDING FUMES**
- **GRINDING DUSTS**
- **DRY DUSTS**
- **SOLDERING DUSTS**
- **POWDERS**

and many more...

Working Area



Working area (with arm 1620P).

Dimensions

Dimensions	Unit	
L	[in] / [mm]	49.6 / 1260
S	[in] / [mm]	33.9 / 860
H	[in] / [mm]	33.7 / 855
L1	[in] / [mm]	15.7 / 400
D1	[in] / [mm]	6.3 / 160
D2	[in] / [mm]	13.8 / 350
R max (for 1620P)	[ft.] / [m]	6.56 / 2

Construction Features

- Heavy Duty welded construction
- Additional revolving round table
- Built in downdraft exhaust
- Two separate dampers (arm & bench)
- 0,75kW Motor
- Multiple motor voltages available
- Thermal overload for motor
- Possibility to connect to central filtering system

Performance Features

- Arm supplied as standard 160mm x 2m
- 76dB(a) level @ 1m
- Manual dampers allow to control the air flow

Technical Data

SF-1000		
Airflow with arm*	[cfm] / [m³/h]	600 / 1000
Weight 1 (without arm)	[lb] / [kg]	265 / 120
Weight 2 (with arm 1620P)	[lb] / [kg]	309 / 140
Motor power supply (voltage)	[V] / phase / [Hz]	380 / 3 / 50
Motor power	[HP] / [kW]	1 / 0.75

Configurations

S1000 Type	Light-kit	Exhaust Control
W00-01-S1000N	None	Manual
W00-01-S1000L	Halogen light in the hood	Manual
W00-01-S1000A	Halogen light in the hood	Automatic (photosensor)