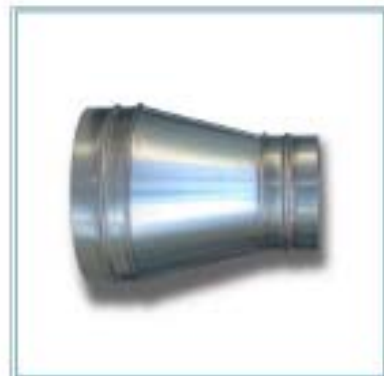
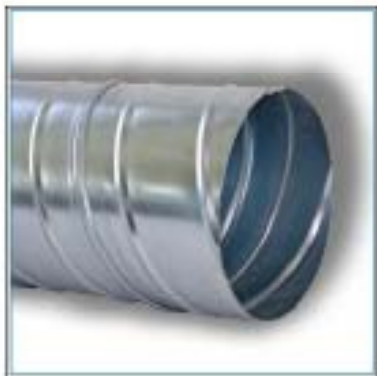


SPIRAL DUCT

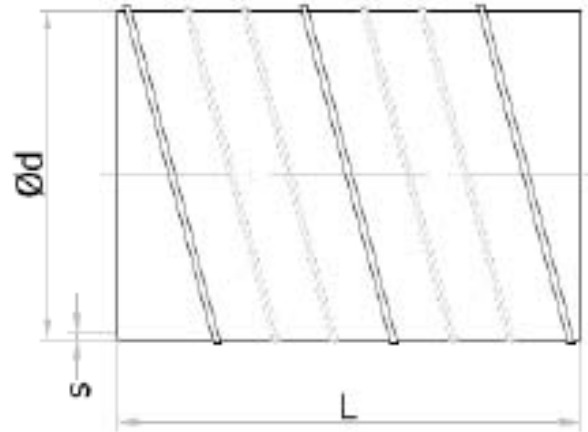
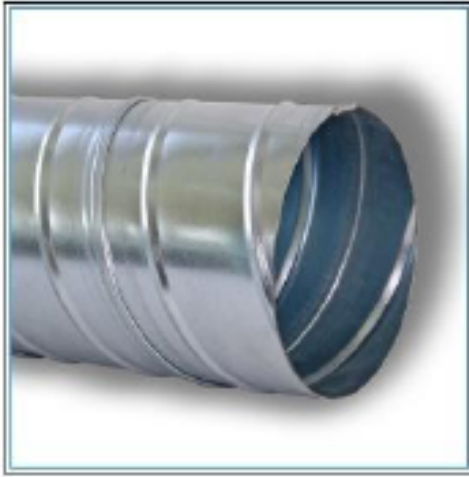
SPIRAL DUCT



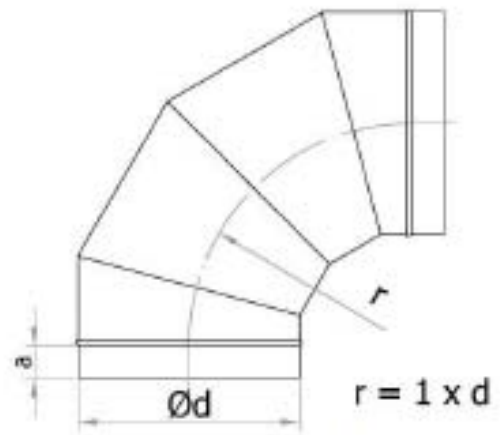
VC SANAT

تصویر برخی از پروژه های انجام شده:





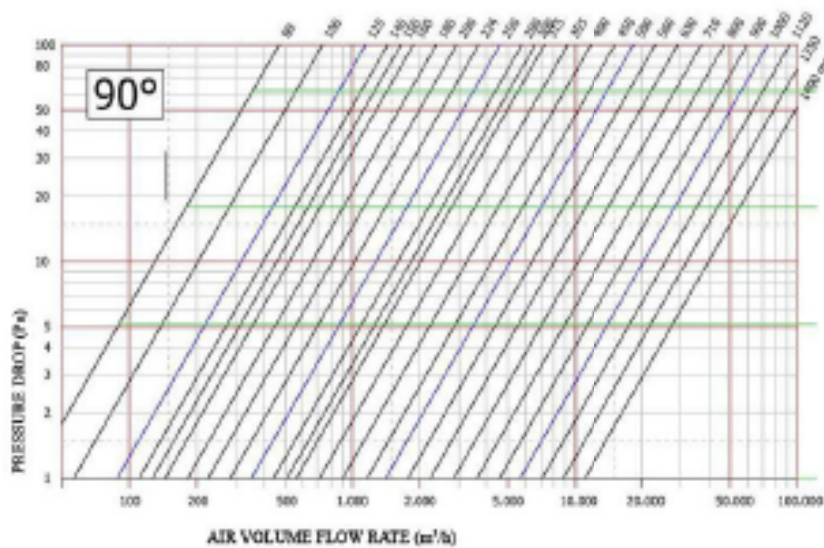
No	DIAMETER (mm)	Wall thickness s (mm)					
		0.6		0.8		1	
		m (kg)	L (meter)	m (kg)	L (meter)	m (kg)	L (meter)
1	80	1.38	3				
2	100	1.71	3				
3	125	2.13	3				
4	140	2.39	3				
5	150	2.58	3				
6	160	2.73	3				
7	180	3.07	3				
8	200	3.41	3				
9	225	3.82	3				
10	250	4.28	3				
11	280	4.78	3				
12	300	5.12	3				
13	315	5.37	3				
14	355	6.05	3				
15	400	6.82	3				
16	450	7.87	3	10.2	3		
17	500	8.53	3	11.4	3		
18	560			12.7	3		
19	630			14.3	3		
20	710			16.2	3		
21	800			18.2	3	22.7	3
22	900			20.5	3	25.8	3
23	1000					28.4	3
24	1120					31.8	3
25	1250					35.5	3
26	1400					39.8	3



d(mm)	a(mm)	m(kg)
80	40	0.27
100	40	0.39
125	40	0.57
140	40	0.68
150	40	0.77
160	40	0.86
180	40	1.05
200	40	1.26
224	40	1.54
250	55	1.99
280	55	2.43
300	55	2.74
315	55	2.99

d(mm)	a(mm)	m(kg)
355	55	3.71
400	75	4.84
450	75	5.98
500	75	9.71
560	75	11.95
630	75	14.83
710	100	19.21
800	100	23.91
900	100	36.82
1000	115	45.54
1120	115	56.25
1250	115	69.12
1400	115	85.6

Pressure drop

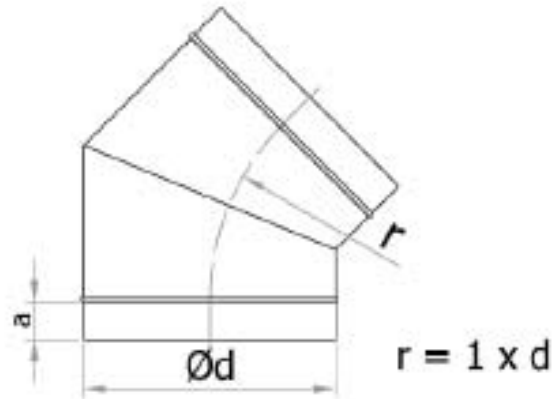
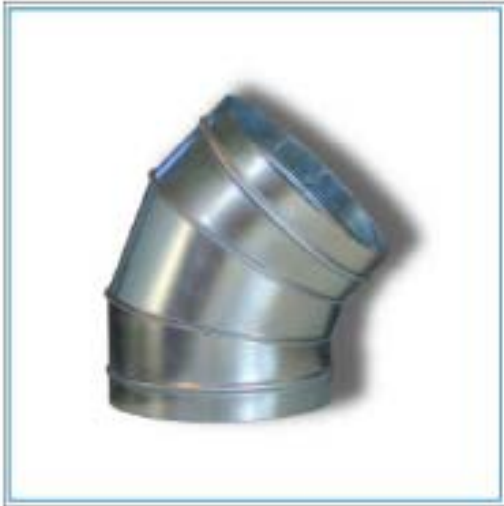


Coding

K Ød - 90°

E.g.

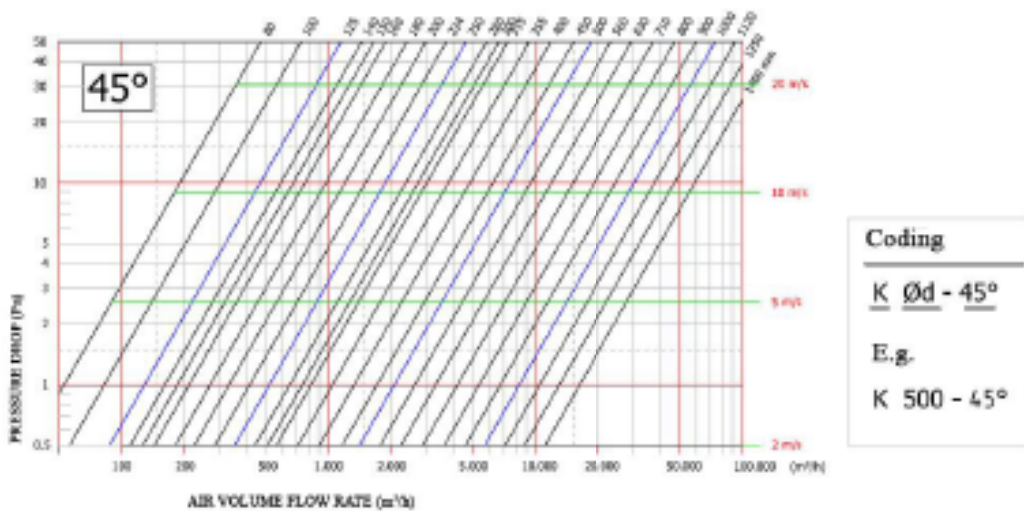
K 500 - 90°



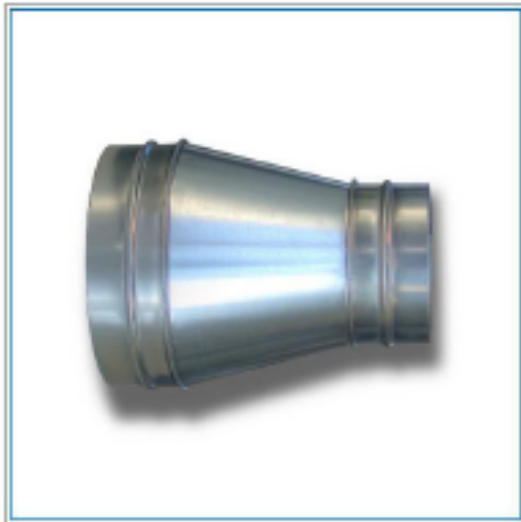
d(mm)	a(mm)	m(kg)
80	40	0.18
100	40	0.26
125	40	0.36
140	40	0.42
150	40	0.47
160	40	0.52
180	40	0.63
200	40	0.75
224	40	0.9
250	55	1.2
280	55	1.44
300	55	1.62
315	55	1.75

d(mm)	a(mm)	m(kg)
355	55	2.14
400	75	2.86
450	75	3.5
500	75	5.6
560	75	6.8
630	75	8.35
710	100	11
800	100	13.54
900	100	20.61
1000	115	25.6
1120	115	31.28
1250	115	38.08
1400	115	46.74

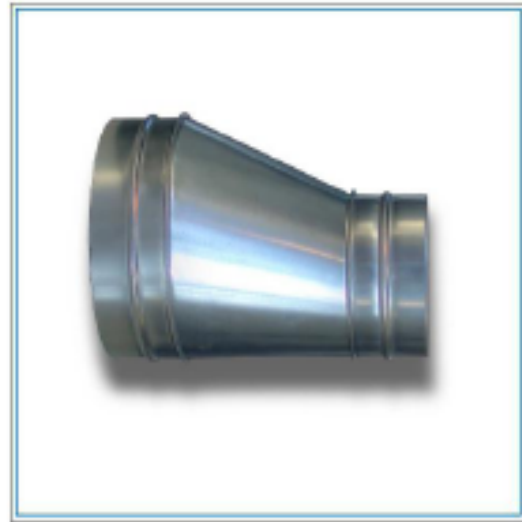
Pressure drop



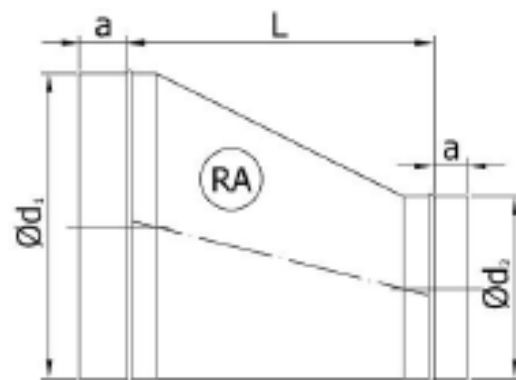
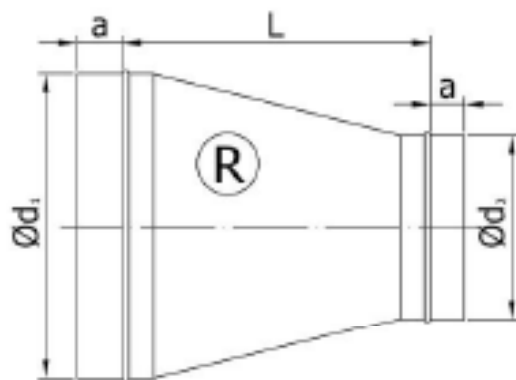
Symmetrical R



Asymmetrical RA



$$L = 2 \times (d_1 - d_2) + 100$$



Coding R

R Ød₁-Ød₂

E.g.

R 500-400

Ø60-224.....a=40 mm

Ø250-355.....a=55 mm

Ø400-630.....a=75 mm

Ø710-900.....a=100 mm

Ø1000-1400.....a=115 mm

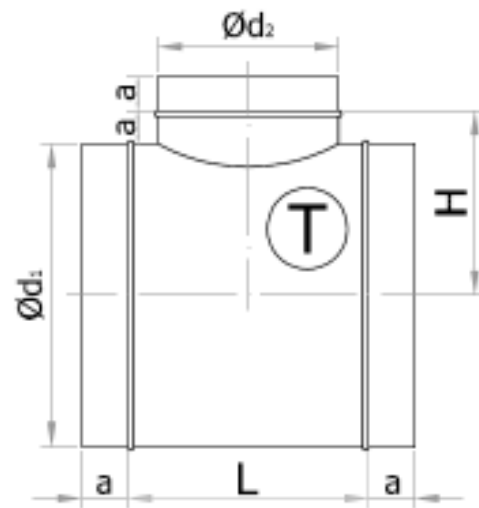
Coding RA

RA Ød₁-Ød₂

E.g.

RA 500-400

Tee



Coding R

T $\varnothing d_1$ - $\varnothing d_2$

E.g.

T 500-400

$\varnothing 80$ -224..... $a=40$ mm

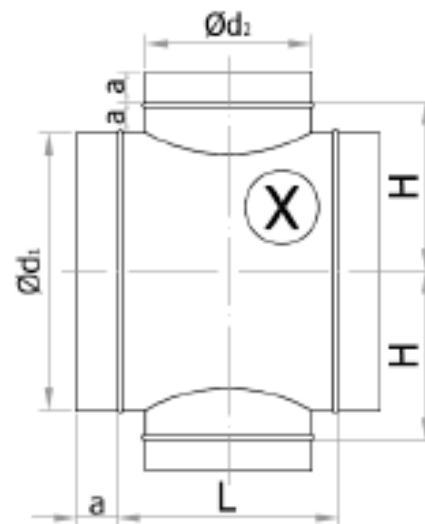
$\varnothing 250$ -355..... $a=55$ mm

$\varnothing 400$ -630..... $a=75$ mm

$\varnothing 710$ -900..... $a=100$ mm

$\varnothing 1000$ -1400... $a=115$ mm

Cross



Coding X

X $\varnothing d_1$ - $\varnothing d_2$

E.g.

X 500-400

$\varnothing 80$ -224..... $a=40$ mm

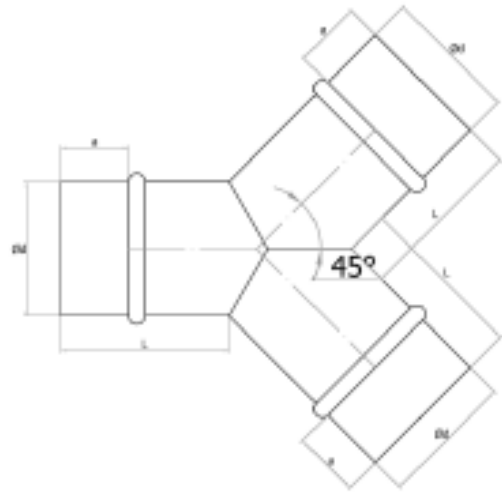
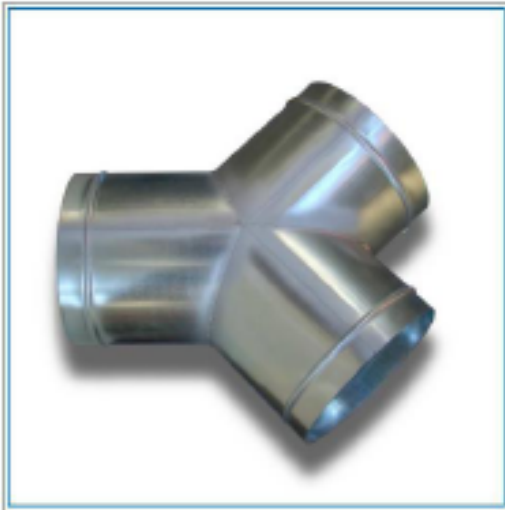
$\varnothing 250$ -355..... $a=55$ mm

$\varnothing 400$ -630..... $a=75$ mm

$\varnothing 710$ -900..... $a=100$ mm

$\varnothing 1000$ -1400... $a=115$ mm

Wye

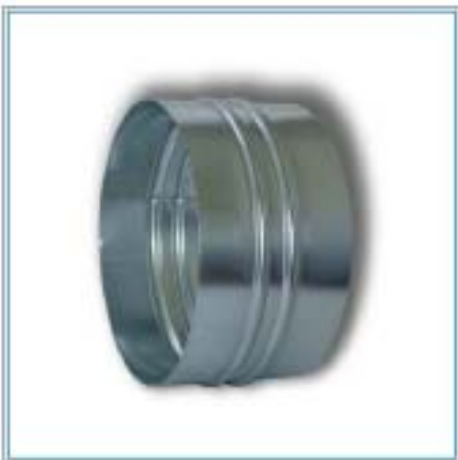


Coding Y

Y $\varnothing d$

E.g.

Y 500

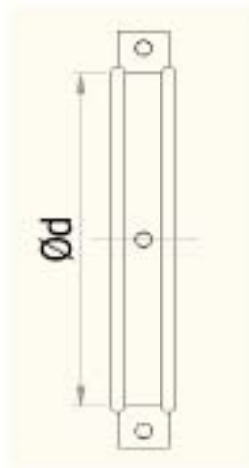


Coding S

S $\varnothing d$

E.g.

S 500



Coding	N
<u>N</u>	<u>Ød</u>
E.g.	
N 500	



Anti-static PU Ducting

Product Code	I.D. mm	Wall Thick mm	Weight kg/mt	Vacuum MT.H ₂ O	Bend Radius mm	Coil mt.
HPU/P051	51	0.4	.250	2.0	40	10
HPU/P063	63	0.4	.31	1.7	55	10
HPU/P076	76	0.45	.51	1.7	65	10
HPU/P102	102	0.5	.65	1.3	85	10
HPU/P127	127	0.5	.85	1.0	105	10
HPU/P152	152	0.55	1.04	0.8	125	10
HPU/P180	180	0.55	1.05	0.5	150	10
HPU/P203	203	0.55	1.65	0.4	165	10
HPU/P254	254	0.6	2.15	0.3	210	10
HPU/P305	305	0.6	2.65	0.3	250	10
HPU/P356	356	0.6	3.05	0.3	300	10
HPU/P406	406	0.6	3.5	-	350	10