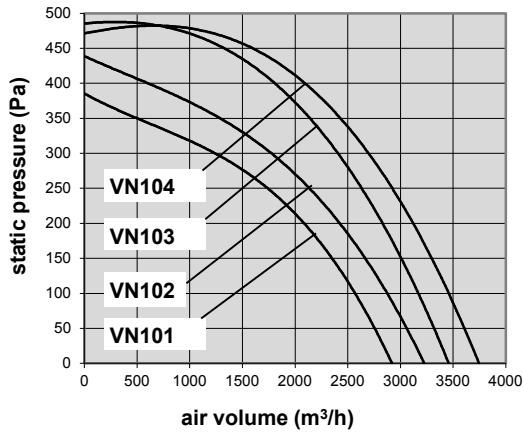
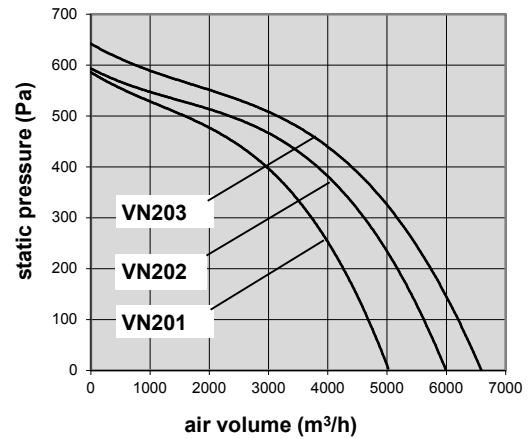


FISCHBACH - VENTILATION UNIT - VNxxx - Standard series - diagram overview

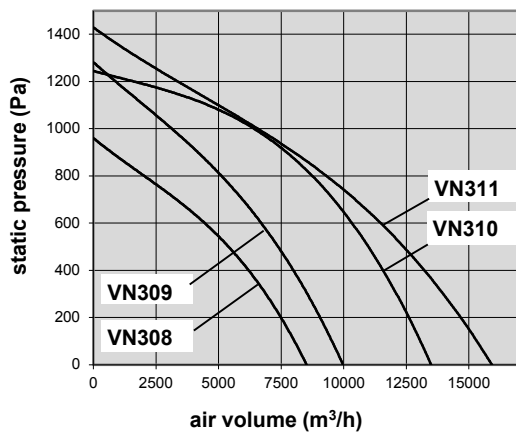
size 1 - 600x600x600 mm



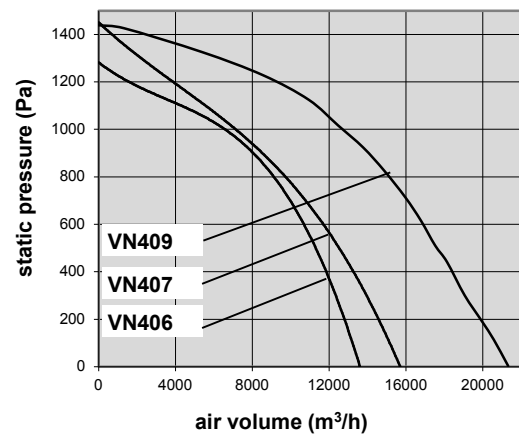
size 2 - 750x750x750 mm



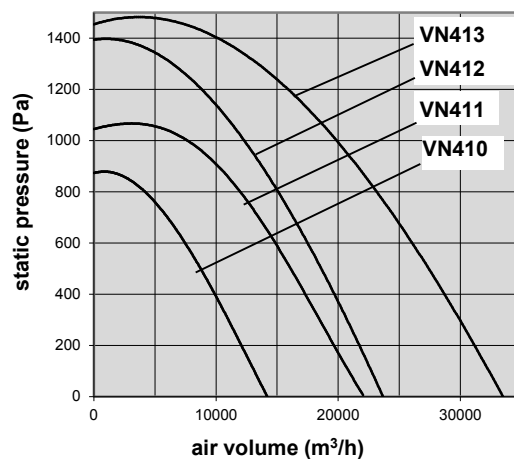
size 3 - 1000x1000x850 mm



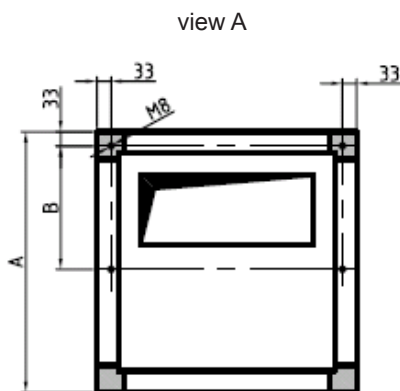
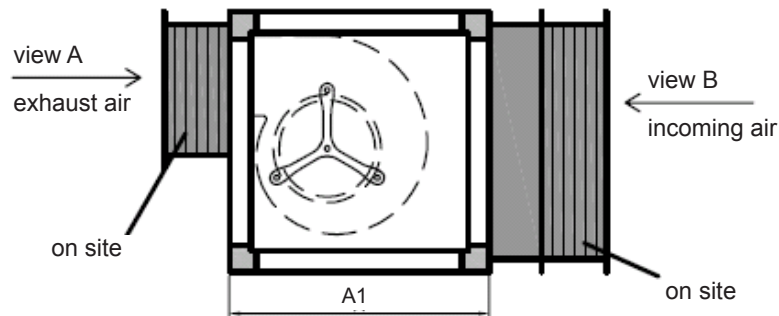
size 4-1 - 1350x1350x850 mm



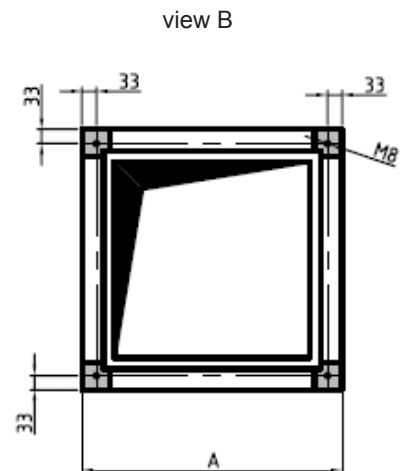
size 4-2 - 1350x1350x1350 mm



FISCHBACH - VENTILATION UNIT VNxxx - Standard Series - casing dimensions overview -



size	A1	A	B
N1	600	600	284
N2	750	750	432
N3	1000	1000	684
N4-1	850	1350	784
N4-2	1350	1350	784



performance table

size	type	part no.	I_{MAX}	P_{MAX}	V_{MAX}	size	type	part no.	I_{MAX}	P_{MAX}	V_{MAX}
			(A)	(kW)	(m ³ /h)				(A)	(kW)	(m ³ /h)
1	VN 101	8412025	3,3	0,9	2931	3	VN 310	8432015	17,5	8,4	12085
	VN 102	8412030	4,4	1,1	3240		VN 311	8432020	17,8	9,0	12615
	VN 103	8412035	5,2	1,2	3445	4-1	VN 406	8441070	17,9	9,2	12070
	VN 104	8412045	6,0	1,4	3752		VN 407	8441085	18	10,0	14700
2	VN 201	8422010	6,6	1,5	5435	4-2	VN 409	8442005	38	20,0	21855
	VN 202	8422020	9,1	2,0	5760		VN 410	8442015	7,8	3,7	16500
	VN 203	8422030	5,6	2,5	6700		VN 411	8442025	16,3	7,9	22305
3	VN 308	8432000	7,3	3,7	8495	VN 412	8442035	14,5	7,3	24000	
	VN 309	8432005	10,9	5,3	9955	VN 413	8442045	30,2	13,9	33730	

VN 101 to VN 202 - 1 x 230V - single-phase motor
VN 203 to VN 413 - 3 x 400V - three-phase motor

FISCHBACH - VENTILATION UNIT - VNxxx - Standard Series - Speed controller assignment -

assignment of the speed controllers for Ventilation unit VN-Series

with double inlet fan			FISCHBACH COMPACT FAN	automatic speed control	speed controller, stepless		speed controller, stepwise		
			.../E = 230V, 1N~ .../D = 400V, 3N~	with casing, without sensors and pre-set device	with casing, with rotary knob and scale		with casing, with step switch		
size	type	part no.	type	type	part no.	type	part no.	type	part no.
1	VN 101	58412025	D 540/E 25	FRA 55	8062521	FDR 55	8061631	FDR 420	8062011
	VN 102	58412030	D 640/E 35	FRA 55	8062521	FDR 55	8061631	FDR 750	8062021
	VN 103	58412035	DS 6-740/E35	FRA 55	8062521	FDR 55	8061631	FDR 750	8062021
	VN 104	58412045	DS 6-740/E 65	FRA 80	8062531	FDR 80	8061641	FDR 750	8062021
2	VN 201	58422070	D 770/E 65	FRA 80	8062531	FDR 80	8061641	FDR 750	8062021
	VN 202	58412009	D 770/E 80	FRA 120	8062551	FDR 120	8061651	FDR 1300	8062042
	VN 203	58422020	D 770/D 1	FRA 55/3	8062811	FDR 55/3	8062312	FDR 5.5/3	8061821
3	VN 308	58432000	D 970/D 2	FRA 80/3	8062821	FDR 80/3	8062321	FDR 8.0/3	8061831
	VN 309	58432005	DS 9-070/D 2.5	FRA 120/3	8062831	FDR 120/3	8062331	FDR 11.3/3	8061851
	VN 310	58432015	DS 9-070/D 5	FRA 200/3	8062851	FDR 200/3	8062351	FDR 20/3	8061771
	VN 311	58432020	DS 9-001/D 5	FRA 200/3	8062851	FDR 200/3	8062351	FDR 20/3	8061771
4-1	VN 406	58441070	DS 9-070/D 5	FRA 200/3	8062851	FDR 200/3	8062351	FDR 20/3	8061771
	VN 407	58441085	DS 9-001/D 5	FRA 200/3	8062851	FDR 200/3	8062351	FDR 20/3	8061771
	VN 409	58442005	DS 0-101/ TD 10	FRA 400/3	8062871	FDR 400/3	8062371	FDR 40/3	8061791
4-2	VN 410	58442015	HD500 / D2.5	FRA 120/3	8062831	FDR 120/3	8062331	FDR 11.3/3	8061851
	VN 411	58442025	HD560 / D5	FRA 200/3	8062851	FDR 200/3	8062351	FDR 20/3	8061771
	VN 412	58442035	HD630 / D5	FRA 200/3	8062851	FDR 200/3	8062351	FDR 20/3	8061771
	VN 413	58442045	HD630 / TD10	FRA 400/3	8062871	FDR 400/3	8062371	FDR 40/3	8061791

VN 101 to VN 202 - 1 x 230V - single-phase motor - also available with electronic speed controller **FRE 6 / 12**
VN 203 to VN 413 - 3 x 400V - three-phase motor - also available with frequency converter FFUxx

Standard Series
Size: 1

Sound data for Ventilator Unit VN 101 - VN 103

VN 101 Fan: D 540/E 25

*sound pressure level L_p in dB (A)							
voltage [V]	80	100	125	150	170	190	230
inlet	40	46	53	58	61	63	66
discharge	41	48	54	60	63	65	68

* related to room absorption of 8 db (25m² Sabine), at free air!
measured in distance of 3 m

inlet side: sound power level in L_w [dB] at mid frequency in (Hz) (at free air!)										L_{WA} [dB(A)]	discharge side: sound power level in L_w [dB] at mid frequency in (Hz) (at free air!)										L_{WA} [dB(A)]
voltage [Volt]	63	125	250	500	1000	2000	4000	8000	total 45-11200	voltage [Volt]	63	125	250	500	1000	2000	4000	8000	total 45-11200		
80	46	41	41	46	43	38	37	32	48	80	47	43	43	48	44	40	38	33	49		
100	51	47	48	52	49	45	43	39	54	100	52	49	49	54	51	46	45	40	56		
125	56	54	54	59	56	52	50	46	61	125	58	56	56	60	58	54	52	47	62		
150	60	59	59	63	61	58	56	51	66	150	62	61	61	65	63	59	57	53	67		
170	63	62	62	66	65	61	59	54	69	170	64	64	64	68	66	63	61	56	71		
190	64	64	64	68	67	63	61	56	71	190	66	66	66	70	69	65	63	58	73		
230	67	67	67	71	70	66	64	59	74	230	69	69	69	73	72	68	66	61	76		

VN 102 Fan: D 640/E 35

*sound pressure level L_p in dB (A)							
voltage [V]	80	100	125	150	170	190	230
inlet	40	48	56	61	64	66	68
discharge	42	49	57	63	66	68	70

* related to room absorption of 8 db (25m² Sabine), at free air!
measured in distance of 3 m

inlet side: sound power level in L_w [dB] at mid frequency in (Hz) (at free air!)										L_{WA} [dB(A)]	discharge side: sound power level in L_w [dB] at mid frequency in (Hz) (at free air!)										L_{WA} [dB(A)]
voltage [Volt]	63	125	250	500	1000	2000	4000	8000	total 45-11200	voltage [Volt]	63	125	250	500	1000	2000	4000	8000	total 45-11200		
80	46	42	42	47	43	39	37	33	48	80	48	43	43	48	45	40	39	34	50		
100	52	49	49	54	51	47	45	40	56	100	54	50	51	55	52	48	47	42	57		
125	58	57	57	61	59	55	53	49	63	125	60	58	59	63	61	57	55	50	65		
150	63	62	62	66	65	61	59	54	69	150	64	64	64	68	66	63	61	56	71		
170	65	65	65	69	68	64	62	57	72	170	67	67	67	71	70	66	64	59	74		
190	67	67	67	71	70	67	65	60	74	190	69	69	69	73	72	68	66	62	76		
230	69	69	69	73	72	69	67	62	76	230	70	71	71	75	74	71	69	64	78		

VN 103 Fan: DS 6-740/E 35

*sound pressure level L_p in dB (A)							
voltage [V]	80	100	125	150	170	190	230
inlet	40	46	53	57	60	62	65
discharge	44	51	57	62	65	67	70

* related to room absorption of 8 db (25m² Sabine), at free air!
measured in distance of 3 m

inlet side: sound power level in L_w [dB] at mid frequency in (Hz) (at free air!)										L_{WA} [dB(A)]	discharge side: sound power level in L_w [dB] at mid frequency in (Hz) (at free air!)										L_{WA} [dB(A)]
voltage [Volt]	63	125	250	500	1000	2000	4000	8000	total 45-11200	voltage [Volt]	63	125	250	500	1000	2000	4000	8000	total 45-11200		
80	45	41	41	46	43	39	37	32	48	80	50	46	46	51	47	43	42	37	52		
100	51	48	48	53	50	46	44	39	54	100	55	52	53	57	54	50	49	44	59		
125	55	54	54	58	56	52	50	45	61	125	60	58	59	63	61	57	55	50	65		
150	59	58	59	63	61	57	55	51	65	150	64	63	63	67	66	62	60	55	70		
170	61	61	61	65	64	60	58	53	68	170	66	66	66	70	69	65	63	58	73		
190	63	63	63	67	66	62	60	55	70	190	68	68	68	72	71	67	65	60	75		
230	65	66	66	69	69	65	63	58	73	230	70	71	71	74	74	70	68	63	78		

Standard Series
Size: 1

Sound data for Ventilator Unit VN 104

VN 104 Fan: DS 6-740/E 65

*sound pressure level L_p in dB (A)							
voltage [V]	80	100	125	150	170	190	230
inlet	39	45	51	56	58	61	64
discharge	43	50	55	60	63	66	69

* related to room absorption of 8 db (25m² Sabine), at free air!
measured in distance of 3 m

inlet side: sound power level in L_w [dB] at mid frequency in (Hz) (at free air!)										L_{WA} [dB(A)]	discharge side: sound power level in L_w [dB] at mid frequency in (Hz) (at free air!)										L_{WA} [dB(A)]
voltage [Volt]	63	125	250	500	1000	2000	4000	8000	total 45-11200		voltage [Volt]	63	125	250	500	1000	2000	4000	8000	total 45-11200	
80	44	40	40	45	42	37	36	31	47		80	49	44	45	50	46	42	40	35	51	
100	49	46	47	51	48	44	43	38	53		100	54	51	51	56	53	49	47	42	58	
125	54	52	52	57	54	50	49	44	59		125	59	57	57	61	59	55	53	48	63	
150	58	57	57	61	59	55	53	49	64		150	62	61	62	66	64	60	58	53	68	
170	60	59	60	63	62	58	56	51	66		170	65	64	64	68	67	63	61	56	71	
190	62	62	62	66	64	61	59	54	69		190	67	66	67	70	69	66	64	59	74	
230	65	65	65	69	68	65	62	58	72		230	70	70	70	74	73	70	67	62	77	

Standard Series
Size: 2

Sound data for Ventilator Unit VN 201 - VN 203

VN 201 Fan: D 770/E 65

*sound pressure level L_p in dB (A)							
voltage [V]	80	100	125	150	170	190	230
inlet	41	47	53	58	61	63	66
discharge	45	51	57	62	65	67	71

* related to room absorption of 8 db (25m² Sabine), at free air!
measured in distance of 3 m

inlet side: sound power level in L_w [dB] at mid frequency in (Hz) (at free air!)										L_{WA} [dB(A)]	discharge side: sound power level in L_w [dB] at mid frequency in (Hz) (at free air!)										L_{WA} [dB(A)]
voltage [Volt]	63	125	250	500	1000	2000	4000	8000	total 45-11200		voltage [Volt]	63	125	250	500	1000	2000	4000	8000	total 45-11200	
80	50	46	42	45	44	42	42	38	49		80	51	47	48	49	49	45	43	40	53	
100	55	51	48	51	50	47	48	44	55		100	55	53	53	55	55	51	49	46	59	
125	60	57	53	57	56	54	54	50	61		125	60	59	59	61	61	57	56	52	65	
150	63	62	58	61	60	59	59	55	66		150	64	63	64	66	66	62	60	57	70	
170	65	64	60	64	63	61	61	58	69		170	66	66	66	69	69	65	63	59	73	
190	67	66	63	66	65	64	64	60	71		190	68	68	69	71	71	68	66	62	75	
230	70	70	66	70	69	67	67	63	74		230	71	72	72	75	75	71	69	65	79	

VN 202 Fan: D 770/E 80

*sound pressure level L_p in dB (A)							
voltage [V]	80	100	125	150	170	190	230
inlet	40	49	57	63	65	66	69
discharge	44	53	61	67	69	70	74

* related to room absorption of 8 db (25m² Sabine), at free air!
measured in distance of 3 m

inlet side: sound power level in L_w [dB] at mid frequency in (Hz) (at free air!)										L_{WA} [dB(A)]	discharge side: sound power level in L_w [dB] at mid frequency in (Hz) (at free air!)										L_{WA} [dB(A)]
voltage [Volt]	63	125	250	500	1000	2000	4000	8000	C 45-11200		voltage [Volt]	63	125	250	500	1000	2000	4000	8000	total 45-11200	
80	50	45	41	44	43	41	41	37	48		80	50	47	47	48	48	44	43	39	52	
100	57	54	50	53	52	50	50	46	57		100	57	55	55	57	57	53	52	48	61	
125	62	61	57	60	59	58	58	54	65		125	63	62	63	65	65	61	59	55	69	
150	67	66	62	66	65	63	63	59	71		150	68	68	68	71	71	67	65	61	75	
170	69	68	64	68	67	66	66	62	73		170	69	70	70	73	73	70	68	64	77	
190	69	69	65	69	68	67	67	63	74		190	70	71	71	74	74	71	69	65	78	
230	72	72	68	72	71	70	70	66	77		230	73	74	74	77	77	74	72	68	82	

VN 203 Fan: D 770/D 1

*sound pressure level L_p in dB (A)					
voltage [V]	120	180	230	280	400
inlet	48	54	62	65	72
discharge	52	58	66	70	76

* related to room absorption of 8 db (25m² Sabine), at free air!
measured in distance of 3 m

inlet side: sound power level in L_w [dB] at mid frequency in (Hz) (at free air!)										L_{WA} [dB(A)]	discharge side: sound power level in L_w [dB] at mid frequency in (Hz) (at free air!)										L_{WA} [dB(A)]
voltage [Volt]	63	125	250	500	1000	2000	4000	8000	total 45-11200		voltage [Volt]	63	125	250	500	1000	2000	4000	8000	total 45-11200	
120	55	52	48	51	50	48	48	45	56		120	56	54	54	56	56	52	50	46	60	
180	60	58	54	57	56	54	54	50	62		180	61	59	59	62	62	58	56	52	66	
230	66	65	61	65	64	62	62	58	70		230	67	67	67	70	70	66	64	60	74	
280	69	68	65	68	67	66	66	62	73		280	70	70	70	73	73	70	68	64	77	
400	74	74	71	75	74	73	72	68	80		400	75	77	77	80	80	77	74	70	84	

Standard Series
Size: 3

Sound data for Ventilator Unit VN 308 - VN 310

VN 308 Fan: D 970/D 2

*sound pressure level L_p in dB (A)					
voltage [V]	120	180	230	280	400
inlet	52	57	62	66	71
discharge	54	60	65	68	73

* related to room absorption of 8 db (25m² Sabine), at free air!
measured in distance of 3 m

inlet side: sound power level in L_w [dB] at mid frequency in (Hz) (at free air!)										L_{WA} [dB(A)]	discharge side: sound power level in L_w [dB] at mid frequency in (Hz) (at free air!)										L_{WA} [dB(A)]
voltage [Volt]	63	125	250	500	1000	2000	4000	8000	total 45-11200	voltage [Volt]	63	125	250	500	1000	2000	4000	8000	total 45-11200		
120	58	55	52	55	54	52	52	48	59	120	57	55	56	58	58	54	52	48	62		
180	63	61	57	61	60	58	58	54	65	180	62	61	61	64	64	60	58	54	68		
230	67	66	62	66	65	63	63	59	70	230	66	66	66	69	69	65	63	59	73		
280	69	69	65	69	68	67	67	63	74	280	68	69	69	72	72	69	67	63	76		
400	73	74	70	74	73	72	72	67	79	400	72	74	74	77	77	74	72	67	81		

VN 309 Fan: DS 9-070/D 2.5

*sound pressure level L_p in dB (A)					
voltage [V]	80	100	125	150	170
inlet	52	62	66	69	74
discharge	55	64	68	71	76

* related to room absorption of 8 db (25m² Sabine), at free air!
measured in distance of 3 m

inlet side: sound power level in L_w [dB] at mid frequency in (Hz) (at free air!)										L_{WA} [dB(A)]	discharge side: sound power level in L_w [dB] at mid frequency in (Hz) (at free air!)										L_{WA} [dB(A)]
voltage [Volt]	63	125	250	500	1000	2000	4000	8000	total 45-11200	voltage [Volt]	63	125	250	500	1000	2000	4000	8000	total 45-11200		
120	59	56	52	56	55	53	53	49	60	120	58	56	56	59	59	55	53	49	63		
180	66	65	61	65	64	62	62	58	70	180	65	65	63	68	68	64	62	58	72		
230	69	69	65	69	68	67	67	63	74	230	68	69	69	72	72	69	67	63	76		
280	72	72	68	72	71	70	70	66	77	280	71	72	72	75	75	72	70	66	79		
400	75	76	73	77	76	75	74	70	82	400	74	76	77	80	80	77	74	70	84		

VN 310 Fan: DS 9-070/D 5

*sound pressure level L_p in dB (A)					
voltage [V]	80	100	125	150	170
inlet	57	67	72	75	78
discharge	59	69	74	77	80

* related to room absorption of 8 db (25m² Sabine), at free air!
measured in distance of 3 m

inlet side: sound power level in L_w [dB] at mid frequency in (Hz) (at free air!)										L_{WA} [dB(A)]	discharge side: sound power level in L_w [dB] at mid frequency in (Hz) (at free air!)										L_{WA} [dB(A)]
voltage [Volt]	63	125	250	500	1000	2000	4000	8000	total 45-11200	voltage [Volt]	63	125	250	500	1000	2000	4000	8000	total 45-11200		
120	62	60	57	60	59	57	57	53	65	120	61	60	61	63	63	59	57	53	67		
180	70	70	66	70	69	68	67	63	75	180	69	70	70	73	73	70	67	63	77		
230	74	74	71	75	74	73	72	68	80	230	73	74	75	78	78	75	72	68	82		
280	76	77	74	78	77	76	75	71	83	280	75	77	78	81	81	78	75	71	85		
400	78	80	76	81	80	79	78	74	86	400	77	80	80	84	84	81	78	74	88		

Standard Series
Size: 3

Sound data for Ventilator Unit VN 311

VN 311 Fan: DS 9-001/D 5

*sound pressure level L_p in dB (A)					
voltage [V]	120	180	230	280	400
inlet	56	67	72	75	78
discharge	58	69	74	77	80

* related to room absorption of 8 db (25m² Sabine), at free air!
measured in distance of 3 m

inlet side: sound power level in L_w [dB] at mid frequency in (Hz) (at free air!)									L_{WA} [dB(A)]	discharge side: sound power level in L_w [dB] at mid frequency in (Hz) (at free air!)									L_{WA} [dB(A)]
voltage [Volt]	63	125	250	500	1000	2000	4000	8000	total 45-11200	voltage [Volt]	63	125	250	500	1000	2000	4000	8000	total 45-11200
120	62	60	56	59	58	57	57	53	64	120	61	60	60	62	62	59	57	53	66
180	70	70	66	70	69	68	67	63	75	180	69	70	70	73	73	70	67	63	77
230	74	74	71	75	74	73	72	68	80	230	73	74	75	78	78	75	72	68	82
280	76	77	74	78	77	76	75	71	83	280	75	77	78	81	81	78	75	71	85
400	78	80	77	81	80	79	79	75	86	400	77	80	81	84	84	81	79	75	88

Standard Series
Size: 4

Sound data for Ventilator Unit VN 406 - VN 407

VN 406 Fan: DS 9-070/D 5

*sound pressure level L_p in dB (A)					
voltage [V]	120	180	230	280	400
inlet	57	67	72	75	78
discharge	59	69	74	77	80

* related to room absorption of 8 db (25m² Sabine), at free air!
measured in distance of 3 m

inlet side: sound power level in L_w [dB] at mid frequency in (Hz) (at free air!)										L_{WA} [dB(A)]	discharge side: sound power level in L_w [dB] at mid frequency in (Hz) (at free air!)										L_{WA} [dB(A)]
voltage [Volt]	63	125	250	500	1000	2000	4000	8000	total 45-11200	voltage [Volt]	63	125	250	500	1000	2000	4000	8000	total 45-11200		
120	62	60	57	60	59	57	57	53	65	120	61	60	61	63	63	59	57	53	67		
180	70	70	66	70	69	68	67	63	75	180	69	70	70	73	73	70	67	63	77		
230	74	74	71	75	74	73	72	68	80	230	73	74	75	78	78	75	72	68	82		
280	76	77	74	78	77	76	75	71	83	280	75	77	78	81	81	78	75	71	85		
400	78	80	76	81	80	79	78	74	86	400	77	80	80	84	84	81	78	74	88		

VN 407 Fan: DS 9-001/D 5

*sound pressure level L_p in dB (A)					
voltage [V]	80	100	125	150	170
inlet	56	67	72	75	78
discharge	58	69	74	77	80

* related to room absorption of 8 db (25m² Sabine), at free air!
measured in distance of 3 m

inlet side: sound power level in L_w [dB] at mid frequency in (Hz) (at free air!)										L_{WA} [dB(A)]	discharge side: sound power level in L_w [dB] at mid frequency in (Hz) (at free air!)										L_{WA} [dB(A)]
voltage [Volt]	63	125	250	500	1000	2000	4000	8000	total 45-11200	voltage [Volt]	63	125	250	500	1000	2000	4000	8000	total 45-11200		
120	62	60	56	59	58	57	57	53	64	120	61	60	60	62	62	59	57	53	66		
180	70	70	66	70	69	68	67	63	75	180	69	70	70	73	73	70	67	63	77		
230	74	74	71	75	74	73	72	68	80	230	73	74	75	78	78	75	72	68	82		
280	76	77	74	78	77	76	75	71	83	280	75	77	78	81	81	78	75	71	85		
400	78	80	77	81	80	79	79	75	86	400	77	80	81	84	84	81	79	75	88		

Standard Series
Size: 4

Sound data for Ventilator Unit VN 409 - VN 411

VN 409 Fan: DS 0-101/TD 10

*sound pressure level L_p in dB (A)					
voltage [V]	120	180	230	280	400
inlet	62	71	75	78	81
discharge	65	73	78	81	84

* related to room absorption of 8 db (25m² Sabine), at free air!
measured in distance of 3 m

inlet side: sound power level in L_w [dB] at mid frequency in (Hz) (at free air!)										L_{WA} [dB(A)]	discharge side: sound power level in L_w [dB] at mid frequency in (Hz) (at free air!)										L_{WA} [dB(A)]
voltage [Volt]	63	125	250	500	1000	2000	4000	8000	total 45-11200	voltage [Volt]	63	125	250	500	1000	2000	4000	8000	total 45-11200		
120	67	66	62	66	65	63	63	59	70	120	66	66	66	69	69	65	63	59	73		
180	73	74	70	74	73	72	72	68	79	180	72	74	74	77	77	74	72	68	81		
230	77	78	74	79	78	77	76	72	83	230	76	78	78	82	82	79	76	72	86		
280	79	81	77	81	80	79	79	75	86	280	78	81	81	84	84	81	79	75	89		
400	81	84	80	84	83	83	82	78	89	400	80	84	84	87	87	85	82	78	92		

VN 410 Fan: HD 500/D 2.5

*sound pressure level L_p in dB (A)					
voltage [V]	80	100	125	150	170
inlet	43	59	68	73	80
discharge	47	63	72	77	85

* related to room absorption of 8 db (25m² Sabine), at free air!
measured in distance of 3 m

inlet side: sound power level in L_w [dB] at mid frequency in (Hz) (at free air!)										L_{WA} [dB(A)]	discharge side: sound power level in L_w [dB] at mid frequency in (Hz) (at free air!)										L_{WA} [dB(A)]
voltage [Volt]	63	125	250	500	1000	2000	4000	8000	total 45-11200	voltage [Volt]	63	125	250	500	1000	2000	4000	8000	total 45-11200		
120	55	50	57	35	34	40	38	46	51	120	55	51	63	40	40	43	40	47	55		
180	68	68	74	59	58	58	56	56	67	180	68	69	78	62	62	61	56	57	71		
230	75	77	81	69	68	67	64	61	76	230	75	77	86	73	73	70	65	62	80		
280	79	82	85	76	75	72	70	65	81	280	79	83	90	80	80	75	71	65	85		
400	85	88	91	84	83	80	77	69	88	400	84	89	96	88	88	83	78	70	93		

VN 411 Fan: HD 560/D 5

*sound pressure level L_p in dB (A)					
voltage [V]	80	100	125	150	170
inlet	43	61	71	77	83
discharge	47	65	75	81	87

* related to room absorption of 8 db (25m² Sabine), at free air!
measured in distance of 3 m

inlet side: sound power level in L_w [dB] at mid frequency in (Hz) (at free air!)										L_{WA} [dB(A)]	discharge side: sound power level in L_w [dB] at mid frequency in (Hz) (at free air!)										L_{WA} [dB(A)]
voltage [Volt]	63	125	250	500	1000	2000	4000	8000	total 45-11200	voltage [Volt]	63	125	250	500	1000	2000	4000	8000	total 45-11200		
120	55	50	57	35	34	39	38	45	51	120	55	51	63	39	39	43	40	47	55		
180	69	70	75	60	59	59	57	57	69	180	69	70	80	64	64	62	58	58	73		
230	78	80	84	73	72	70	68	63	79	230	77	81	89	77	77	73	69	64	83		
280	82	85	88	80	79	77	74	67	85	280	82	86	93	84	84	80	75	68	89		
400	87	91	93	87	86	83	79	70	91	400	87	92	98	91	91	86	81	71	95		

Standard Series
Size: 4

Sound data for Ventilator Unit VN 412 - VN 413

VN 412 **Fan: HD 630/D 5**
Sound data: only fan!

sound pressure level L_p in dB (A)					
voltage [V]	120	180	230	280	400
inlet *	70	80	87	91	93
discharge **	54	63	71	76	77

* sound pressure level A - measured in distance of 4m from the inlet, (room absorption 8 dB)
** sound pressure level A - at free air measured in distance of 4m from the discharge, (absorption 20 dB)

inlet side: sound power level in L_w [dB] at mid frequency in (Hz) (at free air!)										L_{WA} [dB(A)]	discharge side: sound power level in L_w [dB] at mid frequency in (Hz) (at free air!)										L_{WA} [dB(A)]
voltage [Volt]	63	125	250	500	1000	2000	4000	8000	total 45-11200	voltage [Volt]	63	125	250	500	1000	2000	4000	8000	total 45-11200		
120	77	73	80	77	73	63	56	54	84	120	79	72	73	73	69	66	57	59	82		
180	90	83	90	87	81	73	74	62	95	180	84	82	84	82	77	68	72	61	90		
230	93	91	97	92	92	79	84	78	100	230	89	89	91	89	88	75	80	74	96		
280	96	93	100	95	96	84	87	85	104	280	90	96	98	92	93	80	83	83	102		
400	96	95	101	96	99	86	88	89	105	400	93	96	98	93	94	83	84	87	103		

VN 413 **Fan: HD 630/TD 10**

*sound pressure level L_p in dB (A)					
voltage [V]	120	180	230	280	400
inlet	55	73	81	88	90
discharge	60	78	86	91	95

* related to room absorption of 8 db (25m² Sabine), at free air! measured in distance of 3 m

inlet side: sound power level in L_w [dB] at mid frequency in (Hz) (at free air!)										L_{WA} [dB(A)]	discharge side: sound power level in L_w [dB] at mid frequency in (Hz) (at free air!)										L_{WA} [dB(A)]
voltage [Volt]	63	125	250	500	1000	2000	4000	8000	total 45-11200	voltage [Volt]	63	125	250	500	1000	2000	4000	8000	total 45-11200		
120	64	63	69	52	51	53	51	53	63	120	65	65	75	57	57	56	53	55	68		
180	79	81	85	76	75	72	69	64	81	180	80	83	91	81	81	76	71	66	86		
230	85	88	91	85	84	80	77	69	89	230	86	90	97	90	90	84	79	71	94		
280	88	92	95	90	89	85	82	71	94	280	89	95	101	95	95	89	84	73	99		
400	91	96	98	94	93	89	86	74	98	400	92	98	104	99	99	94	88	76	103		