



Introduction

VC SANAT Ducted Fan coils are designed to a high engineering standard to provide the requirements of heating, cooling, de-humidification and air distribution to a conditioned space.

VC SANAT Ducted Fan coils are available in 8 sizes to deliver from 500 cfm to 2,000 cfm nominal air flow rate against total static pressure up to 0.8 in. wg. VC SANAT Ducted Fan coils are applicable for indoor installation and they are ideal for small halls, schools, offices, banks, workshops, laboratories, hospitals, departmental stores, clean rooms, etc.

General Features

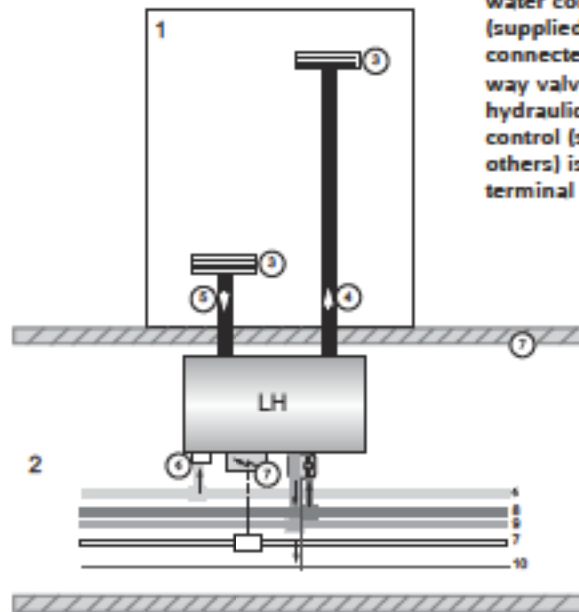
VC SANAT Ducted Fan coils are manufactured in modular sections. Units can be shipped fully or partially assembled to facilitate handling and lifting in case of limited access. All components of Ducted Fan coils are easily accessible. A typical Ducted Fan coil consists of a wide choice of a combination but not limited to the following sections: fan, cooling coil, heating coil, humidifier, filter section, heat recovery system, by-pass section, and mixing box dampers, return air fan, plenums etc.

Typical installation

Ducted fan coils are ideally suited for installation in building circulation zones (i.e. corridors), by nature of its design and available static pressure, allowing for simplified installation and maintenance. The chilled and hot water pipes are remote from the conditioned space. Only the air diffuser(s), the passive elements of the system, are located in the occupied space.

As a system, the ducted fan coil unit can be connected to a discharge air grille/diffuser and/or a return air grille/diffuser (supplied by Trane or by others) using thermally and acoustically insulated flexible ducting. The pre-treated and filtered fresh air coming from the air handling unit (supplied by Trane or by others) can be connected to the inlet of the unit; the airflow rate can be controlled by a on-site adjustable

constant air flow module as an option. The chilled water or the hot water coming from the chiller (supplied by Trane or by others) is connected through a 2-way or a 3-way valve according to the hydraulic circuit installation. The control (supplied by Trane or by others) is managing the overall terminal unit or system.



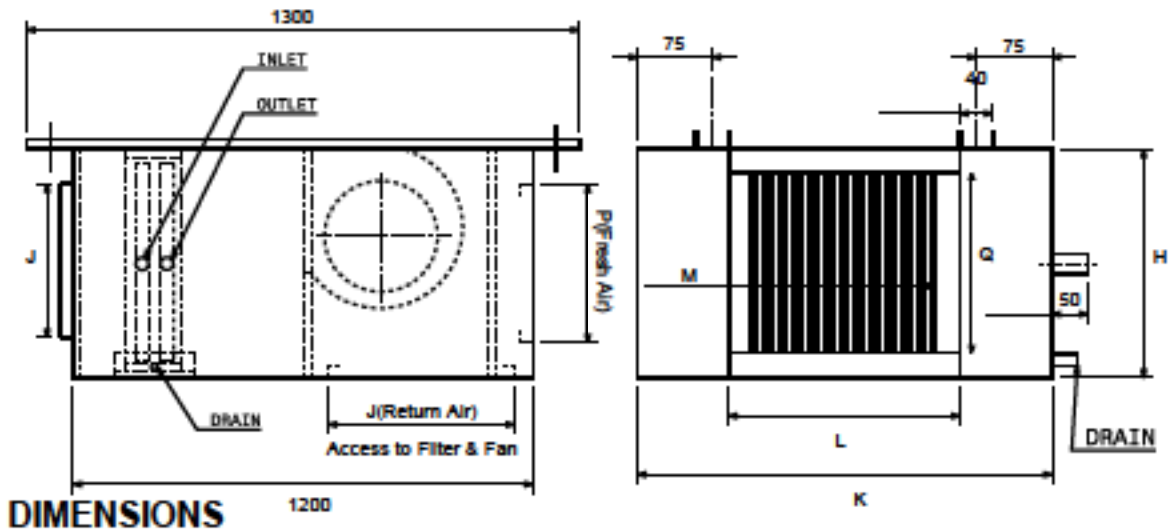
- | | |
|---------------|-------------------------|
| 1. Room | 6. Fresh air (optional) |
| 2. Corridor | 7. Power supply |
| 3. Diffuser | 8. Entering water |
| 4. Supply air | 9. Leaving water |
| 5. Return air | 10. Drain line |

COOLING CAPACITY

Model	E.W.T (°F)	GPM	W.P.D (FTWG)	Enter Air Temperature (°F)							
				65 DB		80 DB		85 DB		70 DB	
				Total Heat (BTU/HR)	Leaving Air DB (°F)	Total Heat (BTU/HR)	Leaving Air DB (°F)	Total Heat (BTU/HR)	Leaving Air DB (°F)	Total Heat (BTU/HR)	Leaving Air DB (°F)
VCDF-800	42	5	0.5	8825	11500	8800	12825	10785	13875	12800	18250
	44	5	0.5	8150	10500	8020	11825	10000	12875	11825	16250
	48	5	0.5	7585	9750	8440	10875	9400	12125	11250	14500

HOT WATER RATINGS

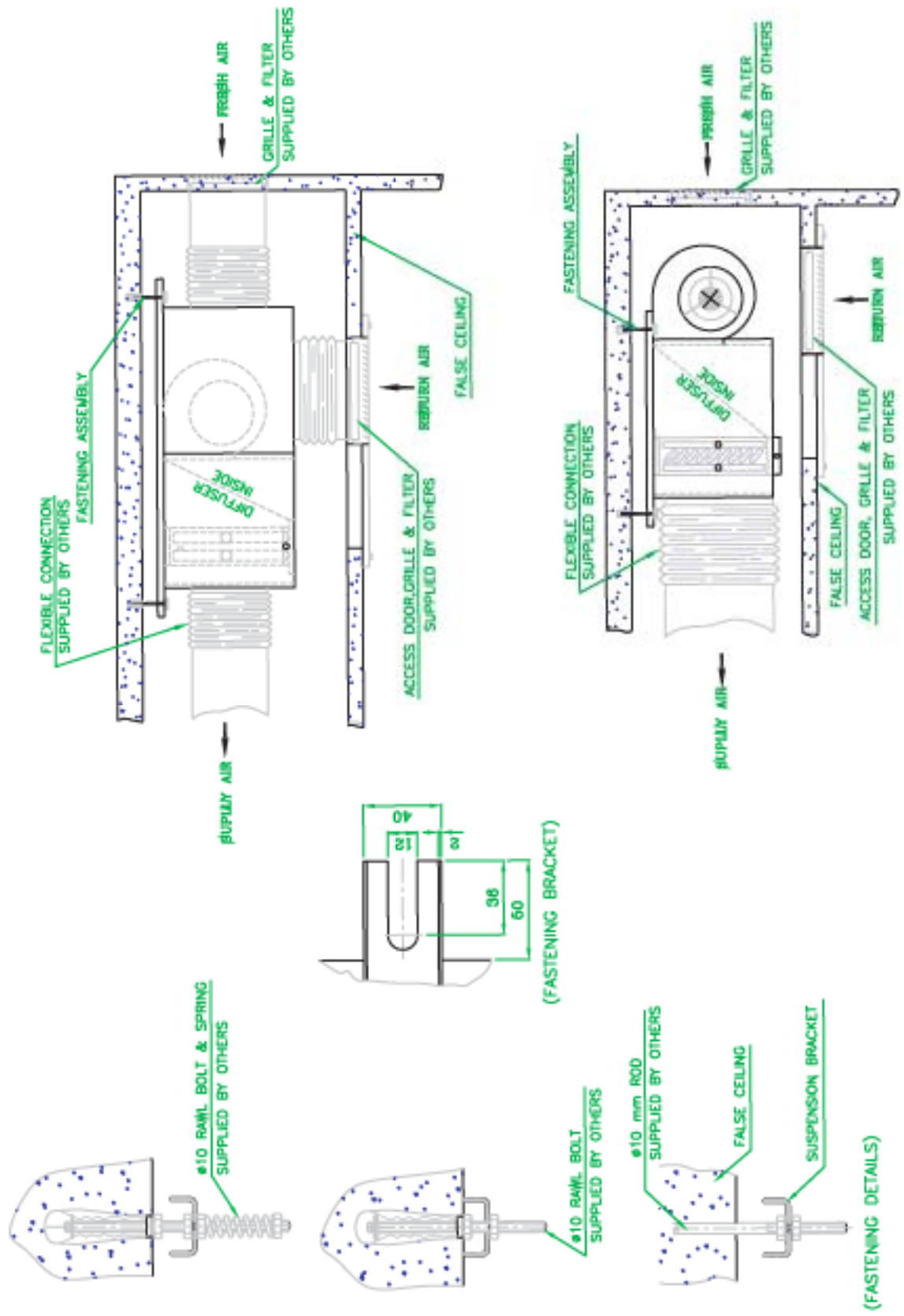
Model	E.W.T (°F)	GPM	W.P.D (FTWG)	Enter Air Temperature (°F)							
				65 DB		80 DB		85 DB		70 DB	
				Total Heat (BTU/HR)	Leaving Air DB (°F)	Total Heat (BTU/HR)	Leaving Air DB (°F)	Total Heat (BTU/HR)	Leaving Air DB (°F)	Total Heat (BTU/HR)	Leaving Air DB (°F)
VCDF-800	140	5	0.5	27250	68.8	25350	68.15	24225	68.35	22325	68.85
	180	5	0.5	34050	68.85	32550	67.4	30850	67.75	29125	68.50
	180	5	0.5	38350	72.75	37850	73.50	38325	74.25	34825	75.00



DIMENSIONS

UNIT	K	L	M	H	J	P	Q
VCDF	650	590	450	500	250	100	410

SUGGESTED INSTALLATION DETAILS



Other Filtration and Hygenic Products of VC SANAT Company



Welding Table



Fume Arm



Boom



Exhaust Fan



Wet Scrubber



Shacker Type Dust Collector



Bag House



Bag Filter Dust Collector



Hygenic Unit Fan



Filters for Gas Turbines



Filters for Gas Turbines



Filters for Gas Turbines



Fan Filter Unit, FFU



Hygenic Unit Package



Hygenic Air Handling



Evaporative Cooler



Metal Panels



Pleated Filters



Primary Bag Filters



Bag Filters Glass Fibre



**Filters for High Efficiency
H10 , H14**



**Bonded and Loose Filled
Carbon Panels**

VCSANAT

دفتر و نمایشگاه مرکزی:

تهران، خیابان انقلاب، پیچ شمیران
خیابان صفی عیشاه، خیابان اسانلو،

پلاک ۱۶

کد پستی: ۱۱۳۸۹۵۳۵۱۳

تلفن: ۰۲-۷۷۶۵۷۲۹۰

فاکس: ۷۷۵۲۲۵۸۳

پست الکترونیک: info@vcsanat.org

پایگاه اینترنتی: www.vcsanat.org

